

Parts Manual

DC520

Soil Cultivator



Revised 01/17/24
09.20086 Rev. 02



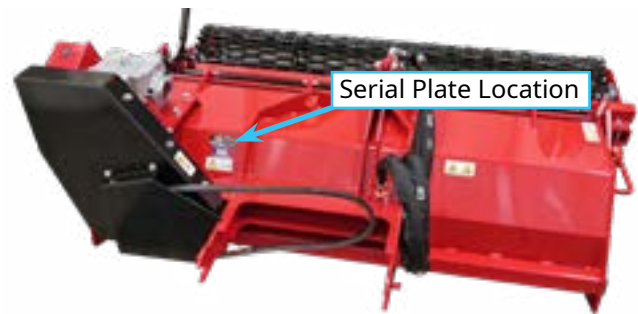
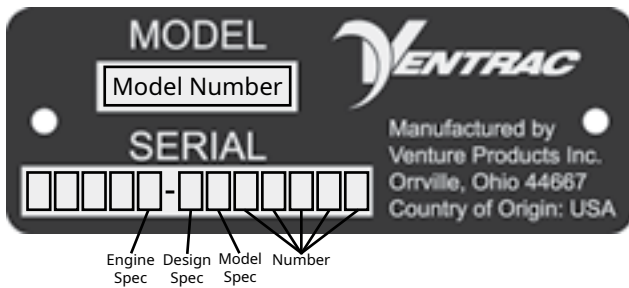
500 Venture Drive
Orrville Oh 44667
www.ventrac.com

View all manuals



Visit ventrac.com/manuals for the latest version of this parts manual. A downloadable operator's manual is also available.

Serial Number Description



Notes

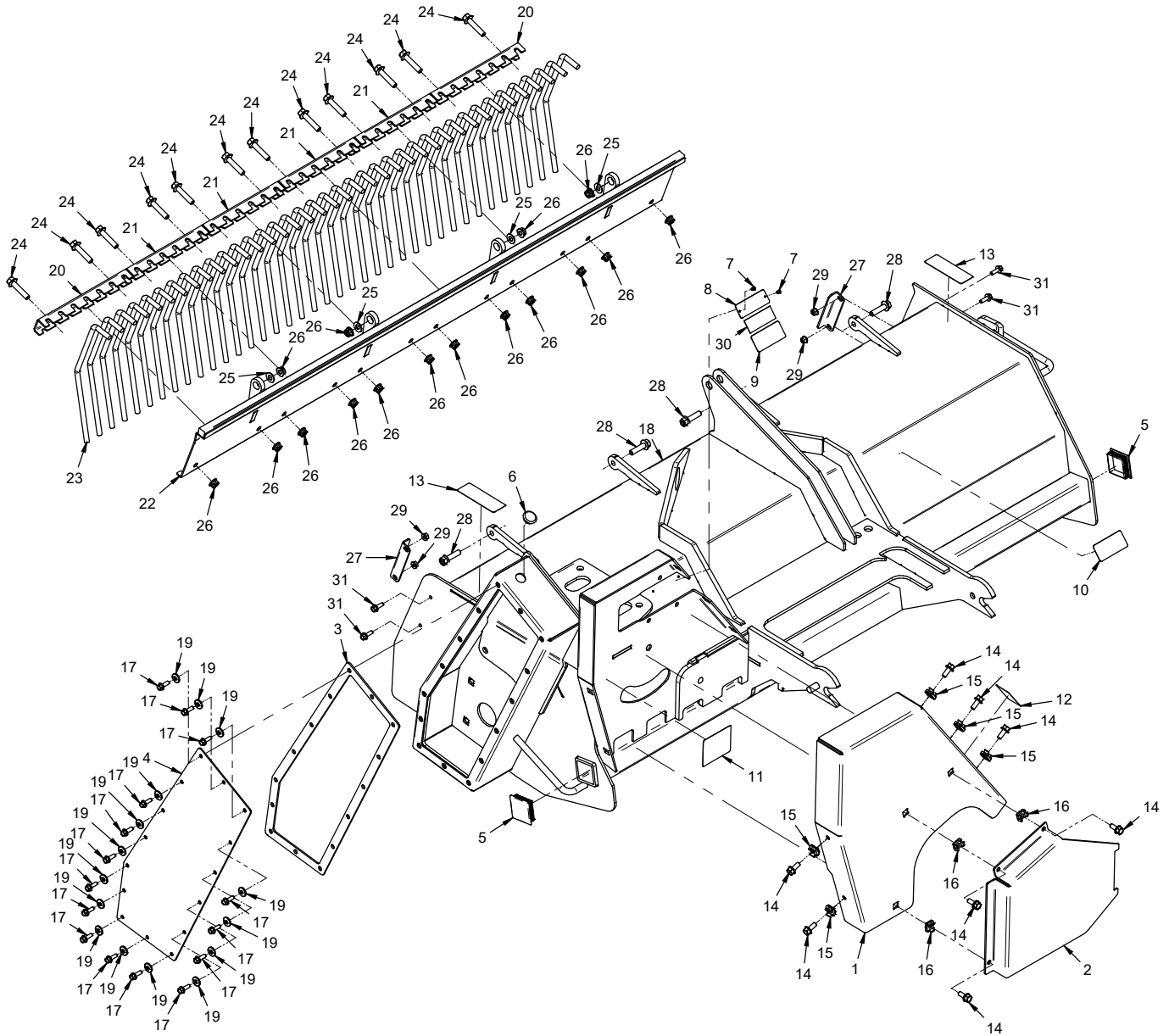
- If any component requires replacement, use only original Ventrac replacement parts.
- When ordering new components, be sure to order all required safety decals. All current safety decals must be affixed to the replacement components prior to installation of the component.

TABLE OF CONTENTS

PARTS	PAGE 4
Frame & Shields.....	4
Leveler Frame & Roller.....	6
Cylinder Hydraulics	8
Gearbox & Cultivator Drive	10
Gearbox Drive Belt	12

PARTS

ILLUSTRATED DRAWING Frame & Shields



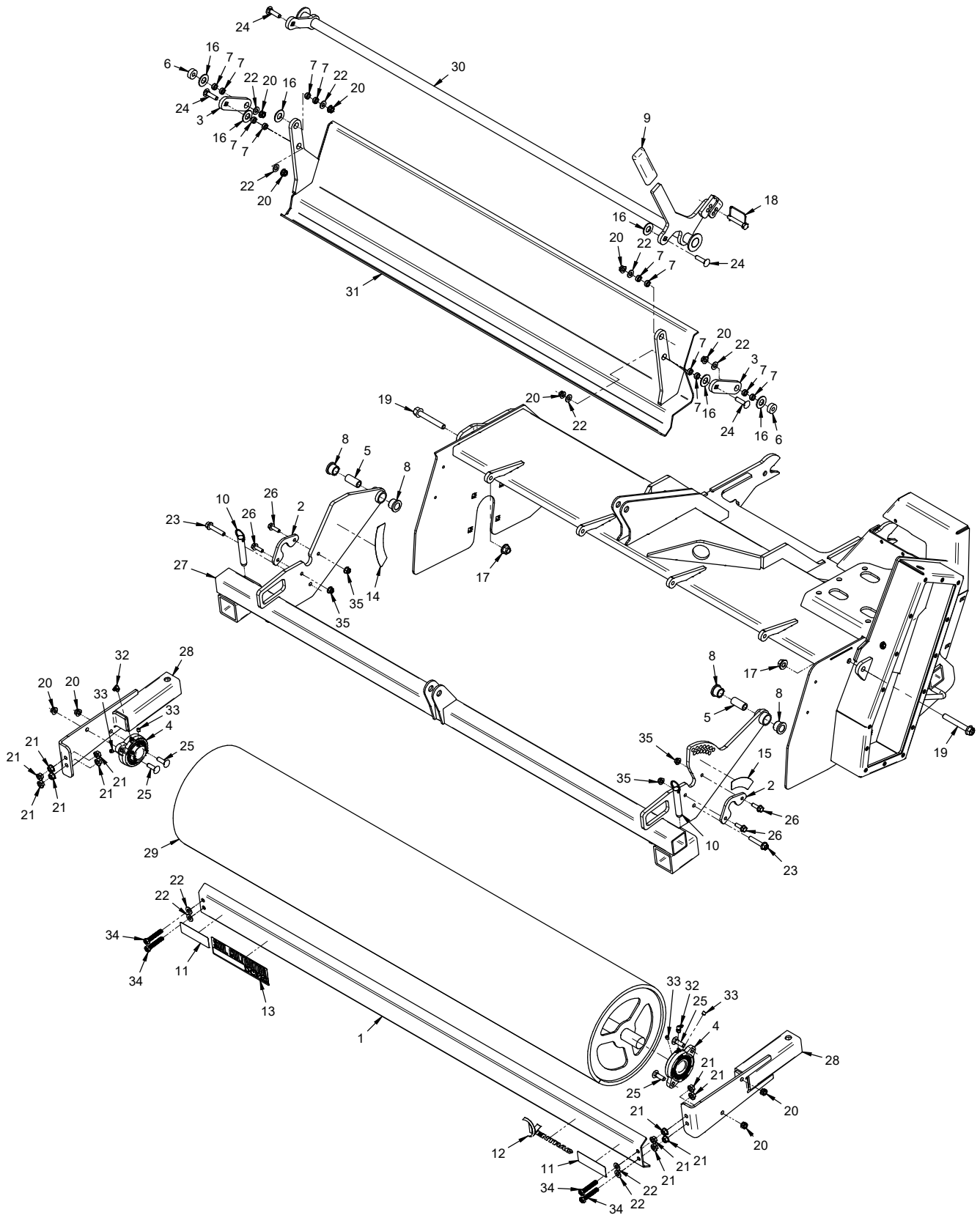
PARTS

Frame & Shields

REF.	PART NO.	DESCRIPTION	QTY.
1	DC-1159	Cover, Gearbox Belt	1
2	DC-1150	Cover, Attachment Belt	1
3	DC-1113	Gasket, Oil Seal	1
4	DC-1112	Cover, Chain Drive	1
5	05.0203	Plug, Square For 2X2X3/16 Tube	2
6	05.0202	Plug, For 13/16 Panel Hole	1
7	04.0029	Rivet, Pop 1/8" X 1/4" SS	2
8	N/A	Plate, Ventrac Serial Number	1
9	00.0619	Decal, Read Operator's Manual	1
10	00.0621	Decal, High Pressure Fluid Hazard	1
11	00.0625	Decal, Shield Missing	1
12	00.0631	Decal, Finger/Hand Entanglement	1
13	00.0703	Decal, Cutting/Dismemberment Hazard	2
14	99.SF0506-1	Bolt, SMF 5/16-18 USS x 3/4	8
15	99.E0149	Nut, Cage 5/16-18 (.177 - .197")	5
16	99.E0149	Nut, Cage 5/16-18 (.127 - .162")	3
17	99.SF0406-1	Bolt, SMF 1/4-20 X 3/4 (Serial # 01001-01072, 01076-)	15
17	91.0406	Bolt, 1/4-28 SAE x 3/4 (Serial # 01073-01075)	15
18	DC-6013	Frame, Main DC520	1
19	99.B0143	Washer, Sealing 1/4 ID x 3/4 OD	15
20	DC-1072	Clamp, Spring Tine Outer	2
21	DC-1074	Clamp, Spring Tine Inner	4
22	DC-6021	Frame, Spring Tine	1
23	DC-1071	Tine, Spring DC520	38
24	99.SF0614-1	Bolt, SMF 3/8-16 X 1-3/4	12
25	95.06	Washer, Flat 3/8 SAE	4
26	99.E0082	Nut, Locking Flange 3/8-16	16
27	DC-1177	Bracket, Tine Frame Mount	2
28	99.SF0612-1	Bolt, SMF 3/8-16 X 1-1/2	4
29	99.E0101	Nut, Locking Flange 1/4-20	4
30	00.0100	Decal, Built in the USA	1
31	99.SF0406-1	Bolt, SMF 1/4-20 x 3/4	4

PARTS

ILLUSTRATED DRAWING Leveler Frame & Roller



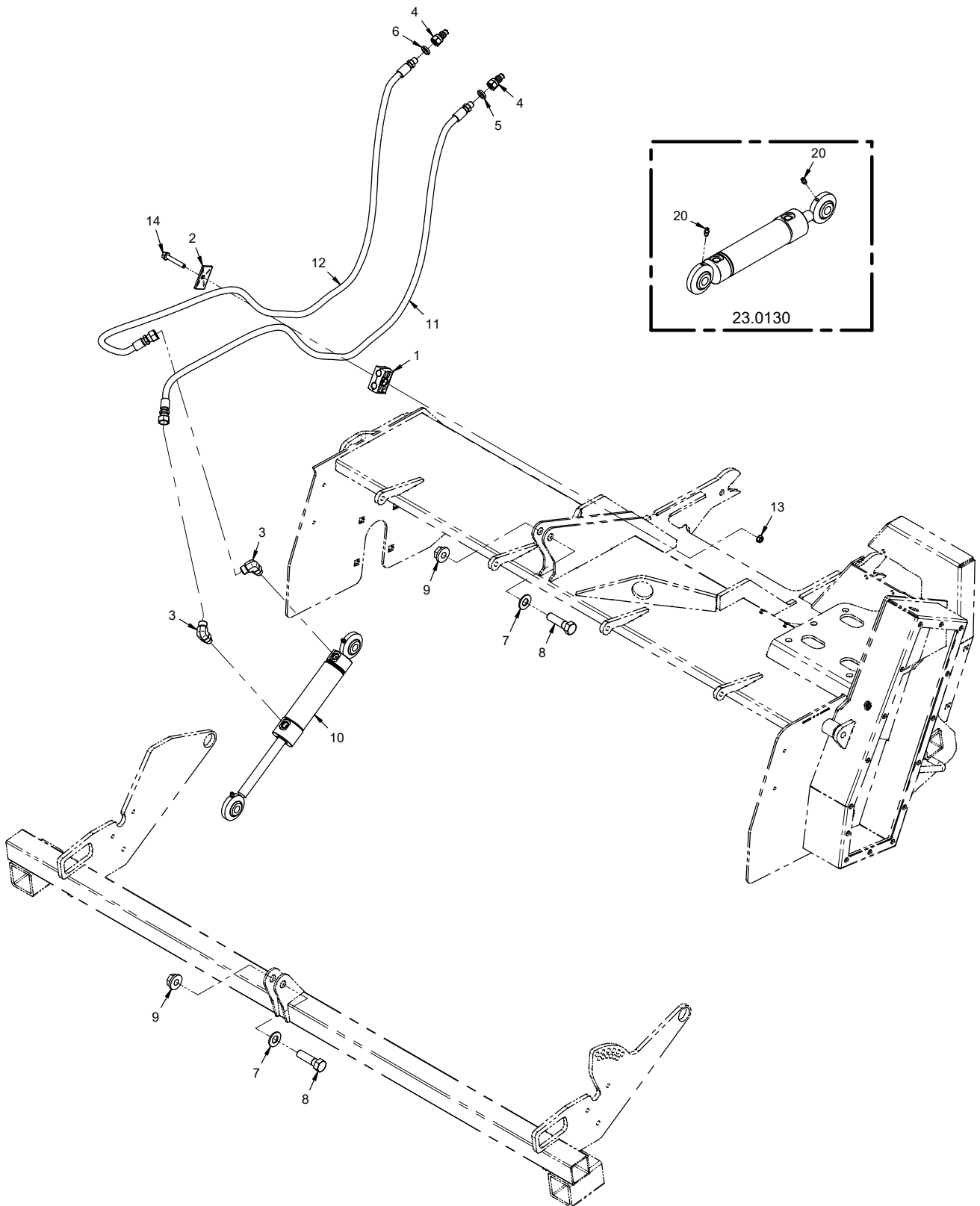
PARTS

Leveler Frame & Roller

REF.	PART NO.	DESCRIPTION	QTY.
1	DC-1133	Guard, Roller	1
2	DC-1152	Mount, Adjustment Shaft	2
3	DC-1134	Link, Leveler Adjustment	2
4	55.FB16020	Bearing, Flange Block 1-1/4"	2
5	DC-1157	Bushing, Roller Frame Pivot	2
6	DC-1192	Spacer, Leveler Link	2
7	64.0602	Bushing, 3/8 x 5/8 x .265	12
8	85.B0112	Bushing, 3/4 ID x 1" OD x 3/4"	4
9	47.0377	Grip, Handle BLK Foam 4-3/4 L	1
10	03.0013	Pin, Ball, 5/8 x 2-1/2	2
11	00.0675	Decal, Entanglement Hazard	2
12	00.0672	Decal, Ventrac Black	1
13	00.0726	Decal, DC520	1
14	00.0729	Decal, DC520 Depth Indicator	1
15	00.0730	Decal, DC520 Blade Depth	1
16	95.10	Washer, Flat 5/8 SAE	6
17	99.E0103	Nut, Locking Flange 1/2-13	2
18	03.0001	Pin, Safety Snap 3/8 X 1-3/4"	1
19	99.SF0828-1	Bolt, SMF 1/2-13 x 3-1/2	2
20	99.E0082	Nut, Locking Flange 3/8-16	10
21	99.SF06	Nut, SRF 3/8-16 USS	12
22	95.06	Washer, Flat 3/8 SAE	10
23	99.SF0616-1	BOLT, SMF 3/8-16 X 2	2
24	97.0612	Bolt, Carriage 3/8-16 x 1 1/2	4
25	97.0610	Bolt, Carriage 3/8-16 x 1-1/4	4
26	99.SF0508-1	Bolt, SMF 5/16-18 x 1	4
27	DC-6018	Frame, Leveler and Roller	1
28	DC-6027	Arm, Roller Mount	2
29	DC-6019	Roller, DC520	1
30	DC-6028	Shaft, Leveler Adjustment	1
31	DC-6005	Frame, Soil Leveler	1
32	29.GF0002	Grease Ftg, 1/4 SAE 90	2
33	85.SS35	Set Screw, 5/16-24 x 5/16	4
34	90.0616-2	Bolt, 3/8-16 x 2 TAP	4
35	99.E0102	Nut, Locking Flange 5/16-18	4

PARTS

ILLUSTRATED DRAWING Cylinder Hydraulics



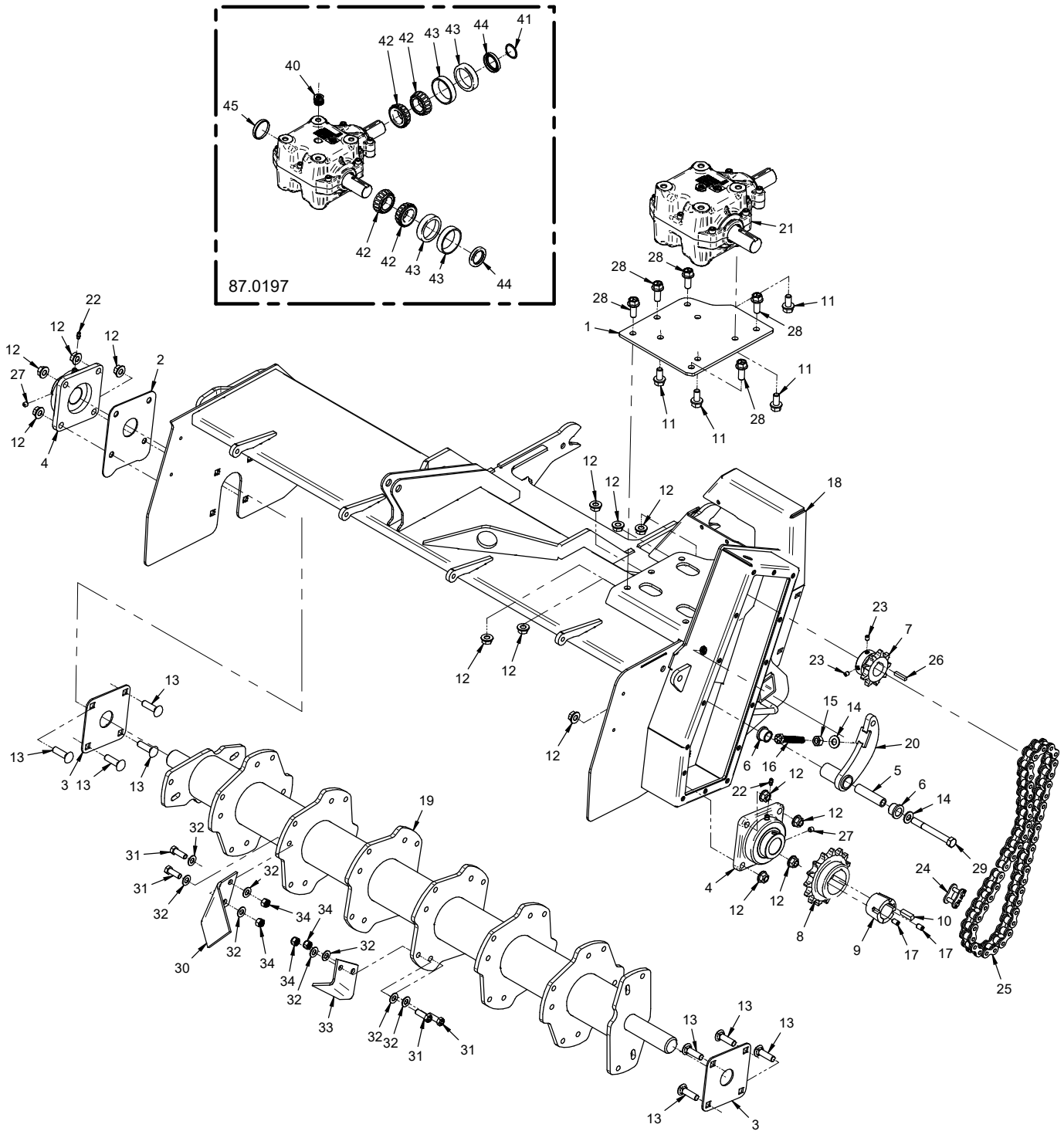
PARTS

Cylinder Hydraulics

REF.	PART NO.	DESCRIPTION	QTY.
1	44.0256	Clamp, Hyd Hose 12.7mm ID 2 Cavity (Set of 2)	1
2	44.0229	Cover Plate, Group 2D (2 Cavity)	1
3	25.FF6801-06-06	Fitting, 90 Elbow - 6MFF X 6MB	2
4	23.0104	Coupler, Quick Male 1/4	2
5	05.0116	Washer, .544 ID x .817 x .14 Red	1
6	05.0117	Washer, .544 ID x .817 x .14 Yel	1
7	95.10	Washer, Flat 5/8 SAE	2
8	90.1018	Bolt, 5/8-11 USS x 2-1/4	2
9	99.E0094	Locknut, 5/8-11 Flanged Stover	2
10	23.0130	Cylinder, 1-1/2" X 5"	1
11	20.0366	Hose, 1/4x59.00 SAE 100R17AR	1
12	20.0366	Hose, 1/4x59.00 SAE 100R17AR	1
13	99.SF05	Nut, SRF 5/16-18 USS	1
14	90.0518	Bolt, 5/16-18 USS x 2-1/4	1
20	29.GF0001	Grease Ftg, 1/4 SAE ST	2

PARTS

ILLUSTRATED DRAWING Gearbox & Cultivator Drive



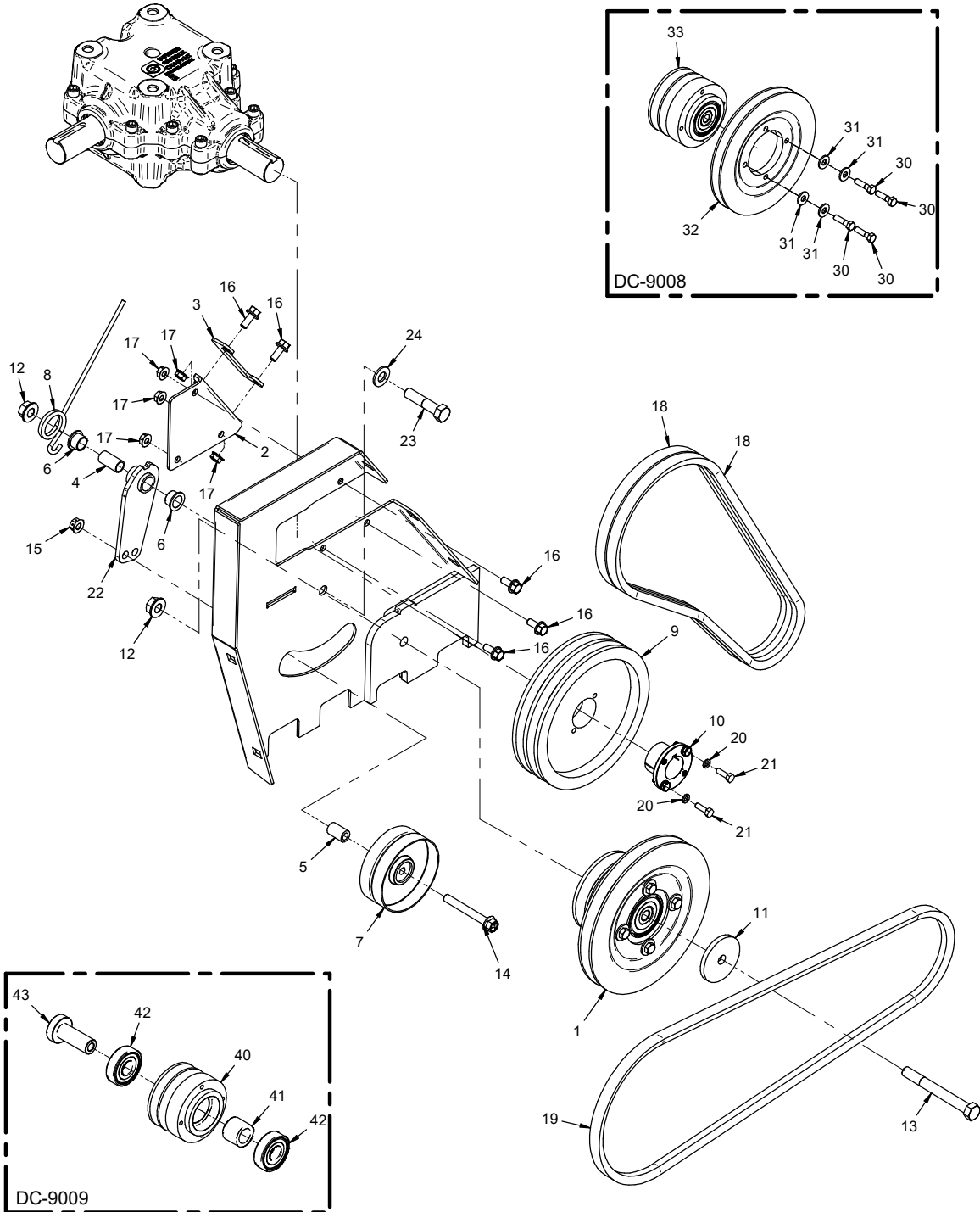
PARTS

Gearbox & Cultivator Drive

REF.	PART NO.	DESCRIPTION	QTY.
1	DC-1176	Plate, Gearbox Mount	1
2	DC-1145	Plate, Bearing Mount Right	1
3	DC-1180	Plate, Inner Bearing Mount	2
4	55.FB22024	Bearing, Flange Block 1-1/2"	2
5	DC-1160	Bushing, Chain Tension Pivot	1
6	85.B0112	Bushing, 3/4 ID x 1" OD x 3/4"	2
7	83.800920	Sprocket, #80 9-T 1-1/4" Bore	1
8	83.H80TB15	SPROCKET, #80 15-T HRD	1
9	83.161524	BUSHING, 1615 X 1-1/2 TAPERLOC	1
10	85.K0610	Key, 3/8 X 1-1/4	1
11	99.SF0808-1	Bolt, SMF 1/2-13 x 1	4
12	99.E0103	Nut, Locking Flange 1/2-13	14
13	97.0814	Bolt, Carriage 1/2-13 x 1-3/4	8
14	95.08	Washer, Flat 1/2 SAE	2
15	92.08	Nut, 1/2-13 USS	1
16	90.0824-2	BOLT, 1/2-13 X 3 TAP	1
17	85.SS33	Set Screw, 3/8-16 x 5/8	2
18	DC-6013	Frame, Main DC520	1
19	DC-6017	Rotor, DC520	1
20	DC-6030	Arm, Chain Tension	1
21	87.0197	Gearbox, Superior KY400	1
22	29.GF0001	Grease Ftg, 1/4 SAE ST	2
23	85.SS18	Set Screw, 5/16-18 x 3/8	2
24	81.0059	Link, Conn #80	1
25	81.0192	Chain, Roller #80 x 41IN	1
26	85.K0410	Key, 1/4 X 1-1/4	1
27	85.SS34	Set Screw, 3/8-24 x 3/8	2
28	99.SF0810-1	Bolt, SMF 1/2-13 x 1-1/4	5
29	90.0836	Bolt, Hex 1/2-13 UNC x 4-1/2	1
30	79.0127	Tine, Blade Right	7
31	91.0710-8	BOLT, 7/16-20 X 1-1/4 GR8	28
32	95.07	Washer, Flat 7/16 SAE	56
33	79.0126	Tine, Blade Left	7
34	99.A07NFN-8	Locknut, Nylon 7/16-20 SAE, GR8	28
40	29.B0208G	Pipe, Bushing 1/8 x 1/2 Galv	1
41	04.0027	Retaining Ring, Ext 1.375 Shft	1
42	55.0077	Bearing, Cone 1.375	4
43	55.0078	Bearing, Cup 2.717	4
44	89.0082	Seal, 1.375-2.00-313	2
45	89.0083	Seal, End Cap 2.00-312	1

PARTS

ILLUSTRATED DRAWING Gearbox Drive Belt



PARTS

Gearbox Drive Belt

REF.	PART NO.	DESCRIPTION	QTY.
1	DC-9008	Drive Pulley Assembly	1
2	DC-1165	Plate, Gearbox Belt Tension	1
3	DC-1178	Lock, Belt Tension Spring	1
4	DC-1126	Bushing, Belt Tension Pivot	1
5	DC-1127	Spacer, Belt Tension Pulley	1
6	85.B0088	Bushing, 5/8 ID X 3/4 OD X 1/2	2
7	83.0042	Pulley, Dbl Idler Flat 4 X 3/8	1
8	41.0084	Spring, Torsion Lh 1-3/16 Idx7	1
9	83.2BK80H	PULLEY, 2BK 8" H-BUSH	1
10	83.H20	Bushing, 1-1/4"	1
11	99.B0091	Washer, .510 ID x 2-1/2 OD 1/4	1
12	99.E0103	Nut, Locking Flange 1/2-13	2
13	90.0836	Bolt, Hex 1/2-13 UNC x 4-1/2	1
14	99.SF0624-1	BOLT, SMF 3/8-16 X 3	1
15	99.E0082	Nut, Locking Flange 3/8-16	1
16	99.SF0506-1	Bolt, SMF 5/16-18 USS x 3/4	5
17	99.SF05	Nut, SRF 5/16-18 USS	5
18	81.B042	Belt, B42R	2
19	81.B054	Belt, B54	1
20	99.M0078	Washer, Split Lock M6	2
21	99.M0077	Bolt, M6 X 1.0 X 20MM, SS	2
22	DC-6024	Arm, Gearbox Belt Tension	1
23	90.0818	Bolt, 1/2-13 USS x 2-1/4	1
24	95.08	Washer, Flat 1/2 SAE	1
30	DC-1187	Pulley, 8-1/4" B Custom	1
31	DC-9009	Overdrive Pulley, Sub Assembly	1
32	94.05	Washer, Flat 5/16 USS	4
33	91.0510	Bolt, Hex 5/16-24 UNF x 1-1/4	4
40	DC-1190	Pulley, 4-1/4" 2B Custom	1
41	DC-1183	Spacer, Pulley	1
42	55.0064	Bearing, Ball 25 MM x 62 MM	2
43	DC-1184	Bushing, Pulley Drive	1