

NE380

Snow Bucket





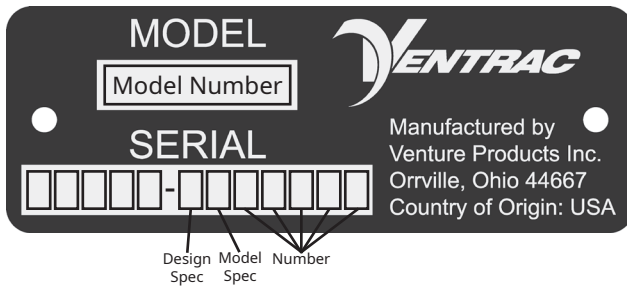
500 Venture Drive
Orrville Oh 44667
www.ventrac.com

View all manuals



Visit ventrac.com/manuals for the latest version of this parts manual. A downloadable operator's manual is also available.

Serial Number Description



Notes

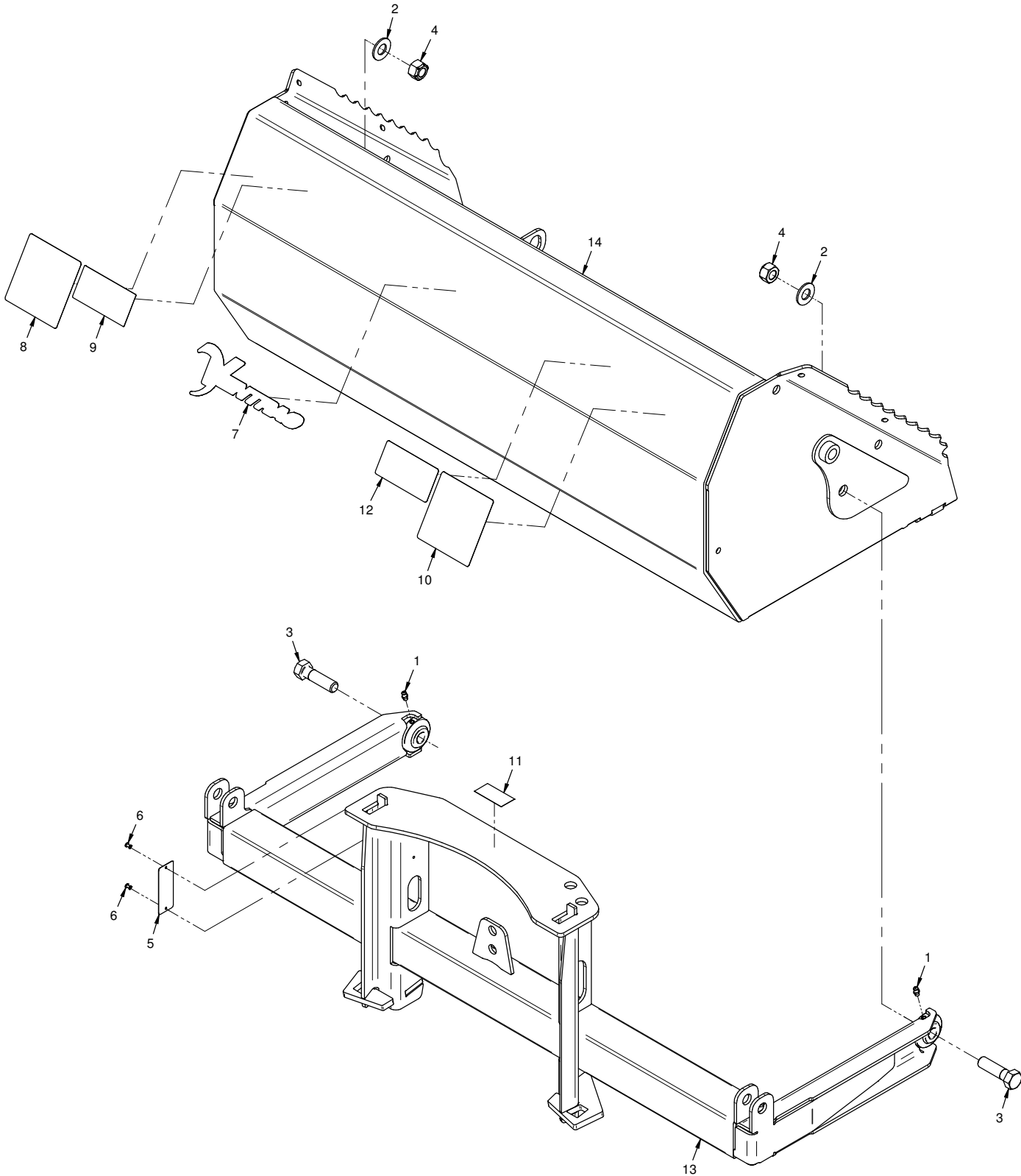
- If any component requires replacement, use only original Ventrac replacement parts.
- When ordering new components, be sure to order all required safety decals. All current safety decals must be affixed to the replacement components prior to installation of the component.

TABLE OF CONTENTS

PARTS	PAGE 4
Hitch Frame & Bucket	4
Hydraulic Cylinders & Hoses.....	6

PARTS

ILLUSTRATED DRAWING Hitch Frame & Bucket



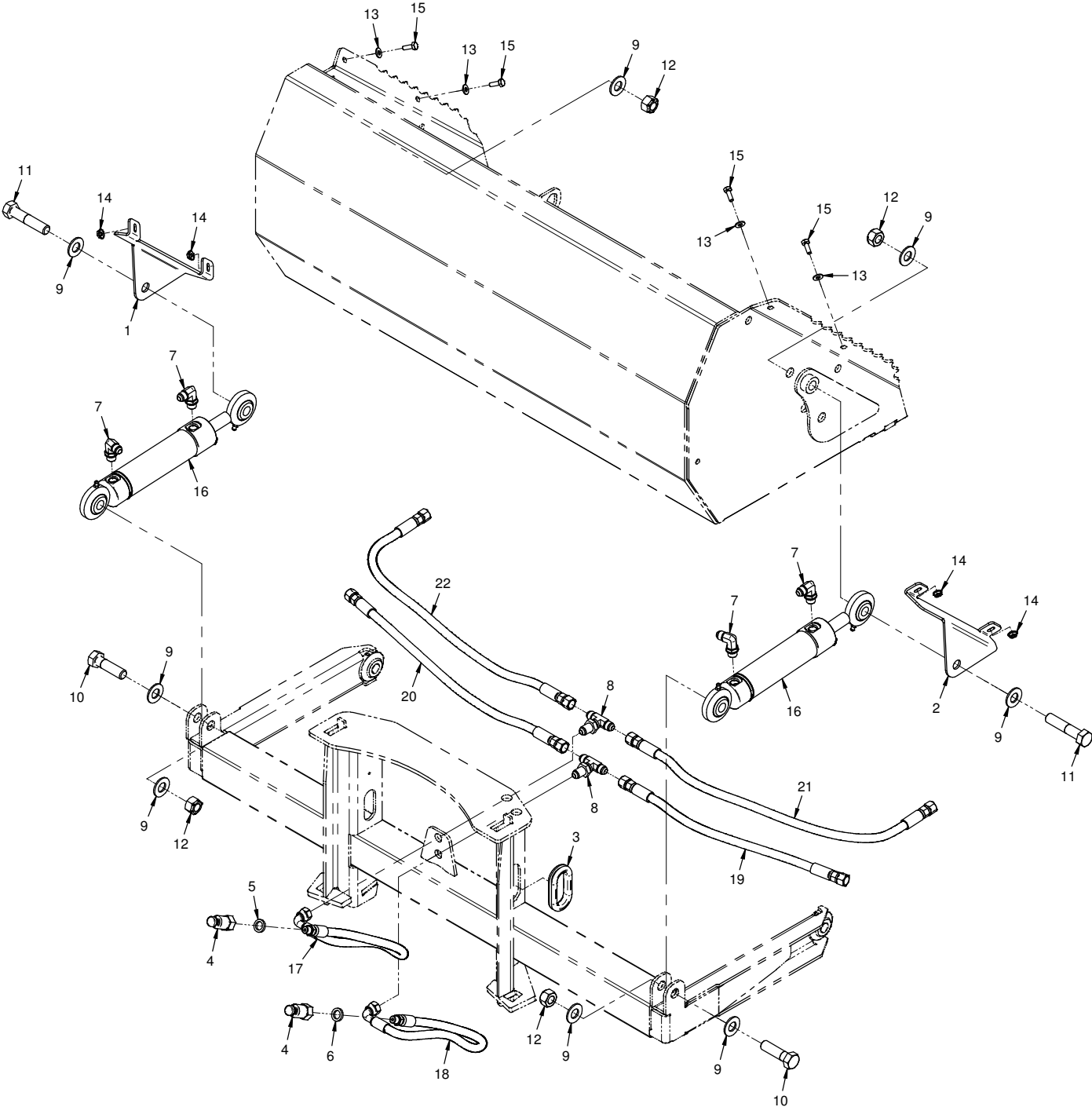
PARTS

Hitch Frame & Bucket

REF.	PART NO.	DESCRIPTION	QTY.
1	29.GF0001	.Grease Ftg, 1/4 SAE ST.	2
2	95.10	.Washer, Flat 5/8 SAE	2
3	90.1018	.Bolt, 5/8-11 USS x 2-1/4	2
4	99.A10	.Locknut, Stover 5/8-11 USS	2
5	N/A	.Plate, Ventrac Serial Number	1
6	04.0029	.Rivet, Pop 1/8" X 1/4" SS	2
7	00.0383	.Decal, Ventrac	1
8	00.0102	.Decal, Danger - Pinching Hazard (Serial # 01001-01136)	1
8	00.0620	.Decal, Pinching or Crushing Hazard (Serial # 01137-)	1
9	00.0217	.Decal, Warning Read Owners Man (Serial # 01001-01136)	1
9	00.0619	.Decal, Read Operator's Manual (Serial # 01137-)	1
10	00.0103	.Decal, Hazard - High Press. Fluid (Serial # 01001-01136)	1
10	00.0621	.Decal, High Pressure Fluid Hazard (Serial # 01137-)	1
11	00.0100	.Decal, Built in the USA	1
12	00.0595	.Decal, Max Working Load 200 lb (Serial # 01001-01136)	1
12	00.0647	.Decal, Max Working Load 200 lb (Serial # 01137-)	1
13	NE-6001	.Frame, Hitch	1
14	NE-6000	.Bucket, Snow 38"	1

PARTS

ILLUSTRATED DRAWING Hydraulic Cylinders & Hoses



PARTS

Hydraulic Cylinders & Hoses

REF.	PART NO.	DESCRIPTION	QTY.
1	60.1257	Cover, Cylinder Left	1
2	60.1256	Cover, Cylinder Right	1
3	05.0073	Grommet, 2 ID, 2-3/4 OD 9/16 T	1
4	23.0176	Coupler, Male Flat Face Quick 1/4	2
5	05.0116	Washer, .544 ID x .817 x .14 Red.	1
6	05.0117	Washer, .544 ID x .817 x .14 Yel	1
7	25.6801-06-06-CP	Fitting, 90 ME 3/8 x 3/8.	4
8	25.2703-6-6-6LN	Fitting, Bulkhead T 3/8 w/Lnut	2
9	95.10	Washer, Flat 5/8 SAE	8
10	90.1018	Bolt, 5/8-11 USS x 2-1/4	2
11	90.1024	Bolt, 5/8-11 USS x 3	2
12	99.A10	Locknut, Stover 5/8-11 USS	4
13	95.04-3	Washer, Flat 1/4 SAE SS	4
14	99.SF04-3	Nut, SRF 1/4-20 USS Stainless	4
15	90.0406-3	Bolt, 1/4-20 USS x 3/4 SS	4
16	23.0130	Cylinder, 1-1/2" X 5"	2
17	20.0377	Hose, 1/4x25.00 SAE 100R17AR.	1
18	20.0377	Hose, 1/4x25.00 SAE 100R17AR.	1
19	20.0378	Hose, 1/4x20.00 SAE 100R17AR.	1
20	20.0378	Hose, 1/4x20.00 SAE 100R17AR.	1
21	20.0379	Hose, 1/4x25.50 SAE 100R17AR.	1
22	20.0379	Hose, 1/4x25.50 SAE 100R17AR.	1