

Parts Manual

# KM500

Loader

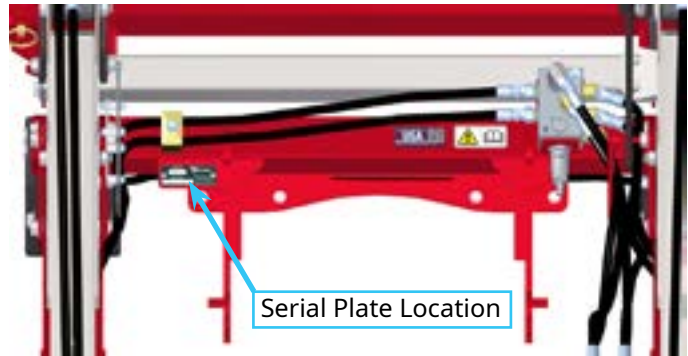


Revised 03/27/24  
09.20097 Rev. 02



500 Venture Drive  
Orrville Oh 44667  
www.ventrac.com

### Serial Number Description



### Notes

- If any component requires replacement, use only original Ventrac replacement parts.
- When ordering new components, be sure to order all required safety decals. All current safety decals must be affixed to the replacement components prior to installation of the component.

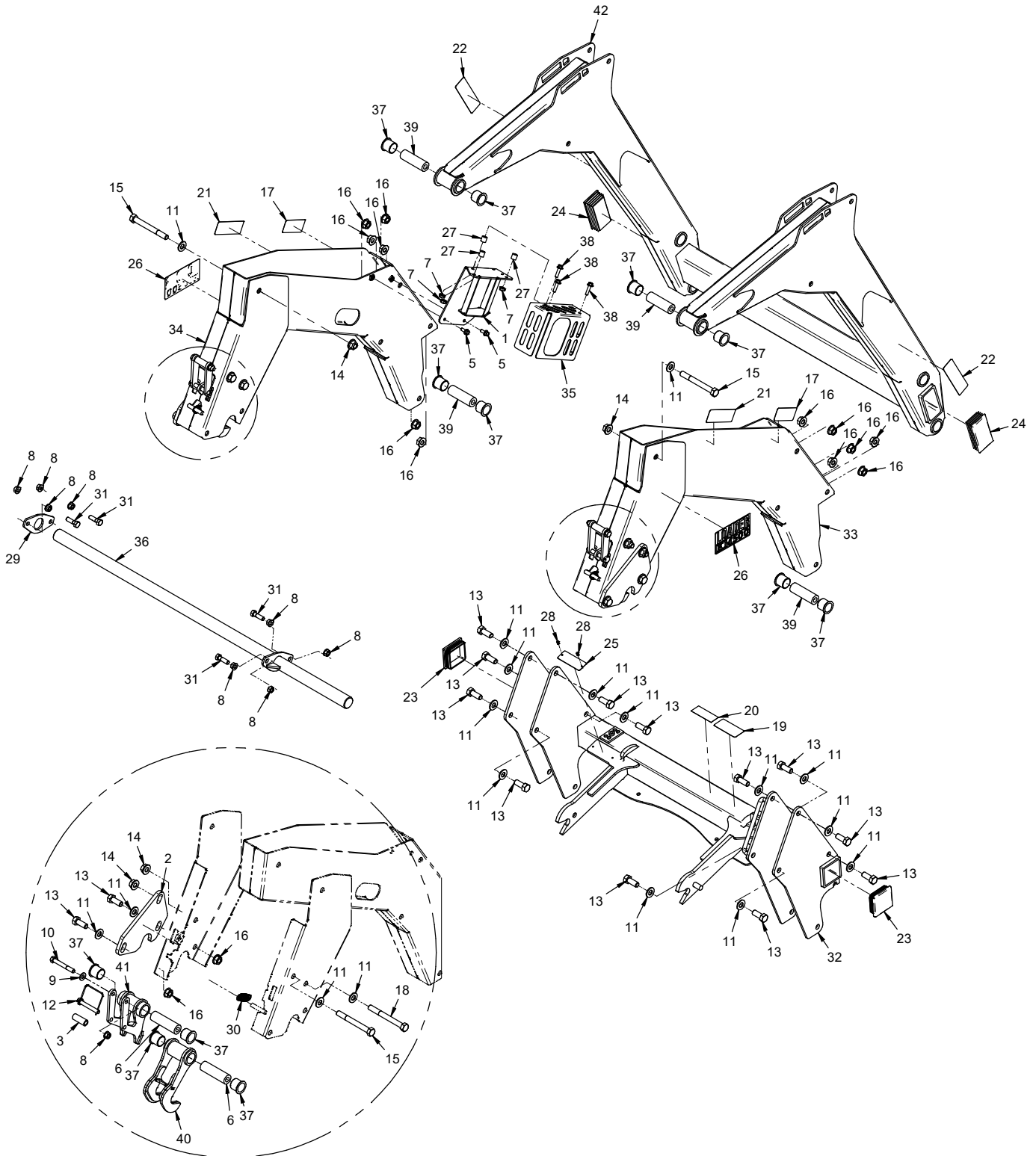
# TABLE OF CONTENTS

---

<b>PARTS</b>	<b>PAGE 4</b>
Main Frame, Loader Arms, & Crossbar Mount .....	4
Tool Attachment Mount.....	6
Hydraulic Lift .....	8
Hydraulic Tilt .....	10
Hydraulic Diagram .....	12
70.8244 Light Material Bucket.....	14
70.8252 Third Aux Function .....	16
70.8252 Third Aux Function Hydraulic Diagram.....	18
70.8257 Third Aux Function .....	20
70.8257 Third Aux Function Hydraulic Diagram.....	22
70.8266 Third Aux Function .....	24
70.8266 Third Aux Function Hydraulic Diagram.....	26
Loader Rear Crossbar (Kit #70.4196) .....	28
Relief Valve (Kit #70.8253) .....	30

# PARTS

## ILLUSTRATED DRAWING Main Frame, Loader Arms, & Crossbar Mount



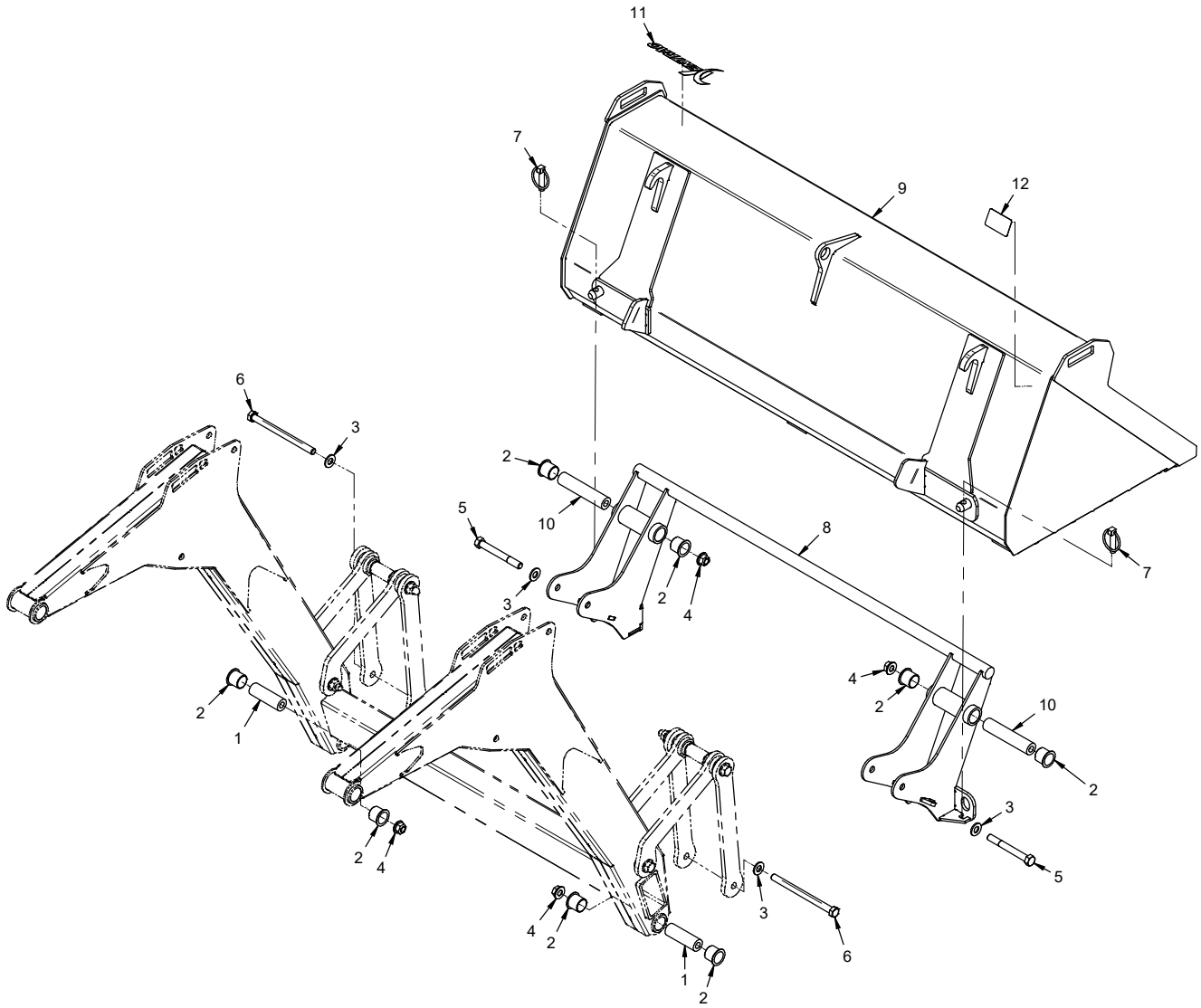
# PARTS

## Main Frame, Loader Arms, & Crossbar Mount

REF.	PART NO.	DESCRIPTION	QTY.
1	KM-6111	Deflector, Tractor Exhaust	1
2	KM-1302	Plate, Rear Anchor	2
3	KM-1303	Tube, Rear Latch Handle	2
5	99.SF0408-1	Bolt, SMF 1/4-20 x 1	2
6	KM-1299	Bushing, .510 x 1.00 x 3-11/32	4
7	99.E0101	Nut, Locking Flange 1/4-20	3
8	99.SF06	Nut, SRF 3/8-16 USS	10
9	95.06	Washer, Flat 3/8 SAE	2
10	90.0622	Bolt, 3/8-16 USS x 2-3/4	2
11	95.08	Washer, Flat 1/2 SAE	22
12	03.0003	Pin, Safety Snap 3/8 X 2-1/2"	2
13	90.0810	Bolt, 1/2-13 USS x 1-1/4	16
14	99.E0103	Nut, Locking Flange 1/2-13	6
15	90.0836	Bolt, Hex 1/2-13 UNC x 4-1/2	4
16	99.SF08	Nut, SRF 1/2-13 USS	16
17	00.0621	Decal, High Pressure Fluid Hazard	2
18	90.0838	Bolt, 1/2-13 USS x 4-3/4	2
19	00.0619	Decal, Read Operator's Manual	1
20	00.0770	Decal, Built in the USA	1
21	00.0620	Decal, Pinching or Crushing Hazard	2
22	00.0744	Decal, Crushing Hazard - Loader	2
23	05.0209	Plug, Sq. for 2-1/2 x (.203-.134)	2
24	05.0210	Plug, Rect. for 4 x 2 x (.203-.120)	2
25	N/A	Plate, Ventrac Serial Number	1
26	00.0750	Decal, KM500	2
27	64.2040	Spacer, .257"ID x 1/2"OD x 1/2" L	3
28	04.0003	Rivet, Pop 1/8 X 3/8 SS	2
29	64.1029	Plate, Rear Anchor Mount	1
30	41.0126	Spring, Ext. 0.75" OD x 2" Lg	2
31	90.0610	Bolt, 3/8-16 USS x 1-1/4	4
32	KM-6000	Frame, Hitch	1
33	KM-6038	Frame, Main Right	1
34	KM-6096	Frame, Main Left	1
35	KM-1456	Shield, Exhaust Deflector	1
36	42.0455	Shaft, Rear Anchor Mount	1
37	85.B0102	Bushing, 1.000 ID x 1.125 OD x 1 L	16
38	99.SF0405-1	Bolt, SMF 1/4-20 X 5/8	3
39	KM-1149	Bushing, .510 x 1.00 x 3-1/16	4
40	KM-6069	Anchor, Rear Latch	2
41	KM-6070	Handle, Rear Latch	2
42	KM-6001	Frame, Lift Arm	1

# PARTS

## ILLUSTRATED DRAWING Tool Attachment Mount



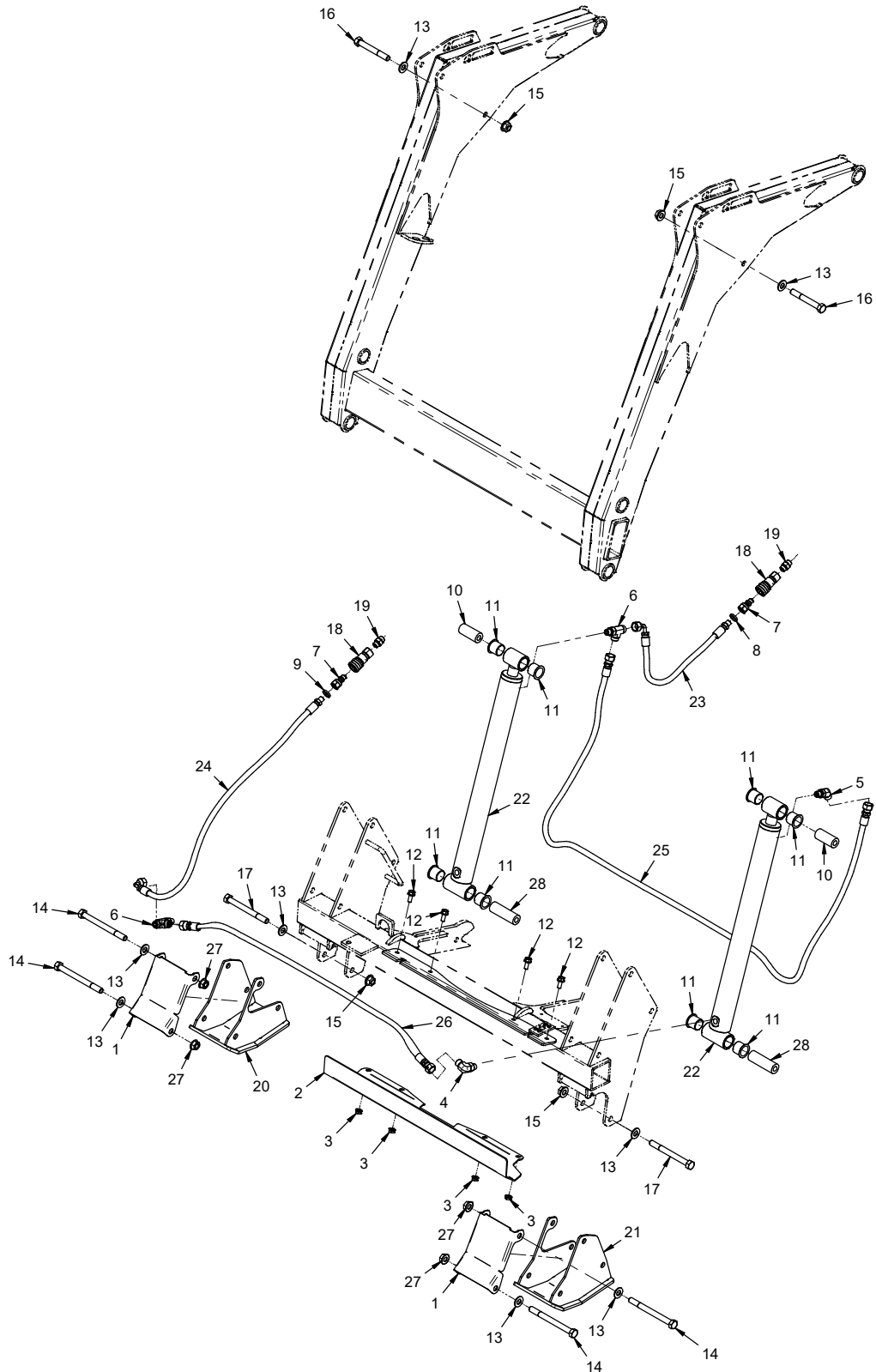
# PARTS

## Tool Attachment Mount

REF.	PART NO.	DESCRIPTION	QTY.
1	KM-1149	.Bushing, .510 x 1.00 x 3-1/16.	4
2	85.B0102	.Bushing, 1.000 ID x 1.125 OD x 1 L.	8
3	95.08	.Washer, Flat 1/2 SAE	4
4	99.E0103	.Nut, Locking Flange 1/2-13	4
5	90.0834	.Bolt, 1/2-13 USS x 4-1/4	2
6	90.0852	.Bolt, 1/2-13 USS x 6-1/2	2
7	03.0005	.Pin, Linch	2
8	KM-6011	.Frame, Tool Mount	1
9	KM-6009	.Bucket, 48" Standard	1
10	KM-1081	.Bushing, .510 x 1.00 x 4-3/4.	2
11	00.0688	.Decal, Ventrac White.	1
12	00.0754	.Decal, Tipping Hazard - KM500 Bucket	1

# PARTS

## ILLUSTRATED DRAWING Hydraulic Lift





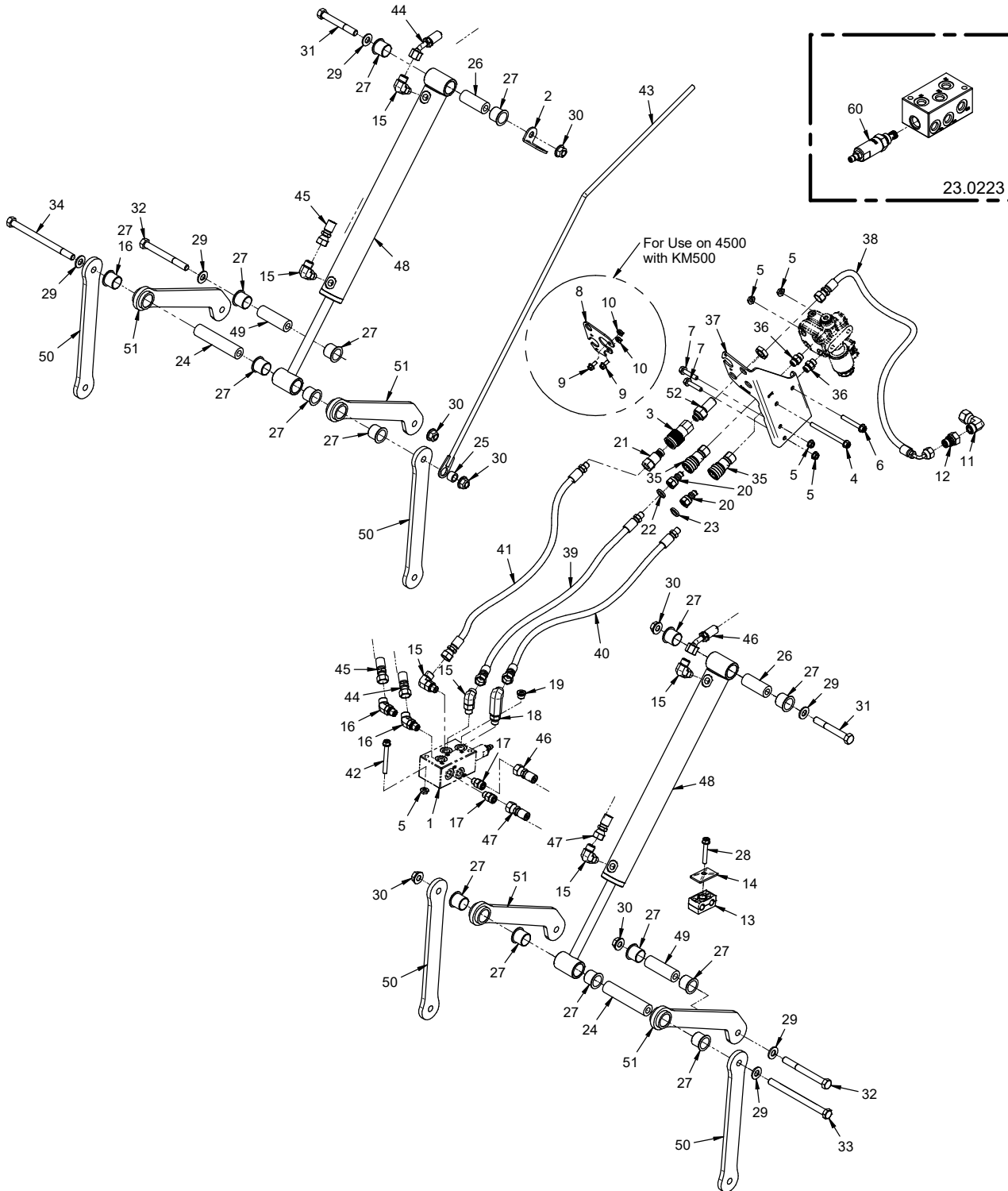
# PARTS

## Hydraulic Lift

REF.	PART NO.	DESCRIPTION	QTY.
1	KM-1361	Cover, Skid Plate	2
2	KM-1432	Guard, Lower Hose Traverse	1
3	99.SF05	Nut, SRF 5/16-18 USS	4
4	25.FF6801-06-06	Fitting, 90 Elbow - 6MFF X 6MB	1
5	25.FF6802-06-06	Fitting, 45 Elbow - 6Mff X 6Mb	1
6	25.FF6804-6-6-6	Fitting, Tee 6MB X 6MFF X 6MFF	2
7	23.0104	Coupler, Quick Male 1/4	2
8	05.0117	Washer, .544 ID x .817 x .14 Yel	1
9	05.0116	Washer, .544 ID x .817 x .14 Red	1
10	KM-1346	Bushing, .510 x 1.00 x 2-3/16	2
11	85.B0102	Bushing, 1.000 ID x 1.125 OD x 1 L	8
12	99.SF0506-1	Bolt, SMF 5/16-18 USS x 3/4	4
13	95.08	Washer, Flat 1/2 SAE	8
14	90.0844	Bolt, 1/2-13 USS x 5-1/2	4
15	99.E0103	Nut, Locking Flange 1/2-13	4
16	90.0830	Bolt, Hex 1/2-13 UNC x 3-3/4	2
17	90.0840	Bolt, Hex 1/2-13 UNC x 5	2
18	23.0197	Coupler, Hyd Quick Female 1/4 ORB	2
19	25.6403-06-06	Fitting, St Union 06MB x 06MB	2
20	KM-6071	Skid, Loader Frame Right	1
21	KM-6097	Skid, Loader Frame Left	1
22	23.0217	Cylinder, 1-3/4" X 18"	2
23	20.0444	Hose, 1/4x28.00 SAE 100R17	1
24	20.0445	Hose, 1/4x42.00 SAE 100R17	1
25	20.0441	Hose, 1/4x78.00 SAE 100R17	1
26	20.0447	Hose, 1/4x34.00 SAE 100R17	1
27	99.SF08	Nut, SRF 1/2-13 USS	4
28	KM-1149	Bushing, .510 x 1.00 x 3-1/16	2

# PARTS

## ILLUSTRATED DRAWING Hydraulic Tilt



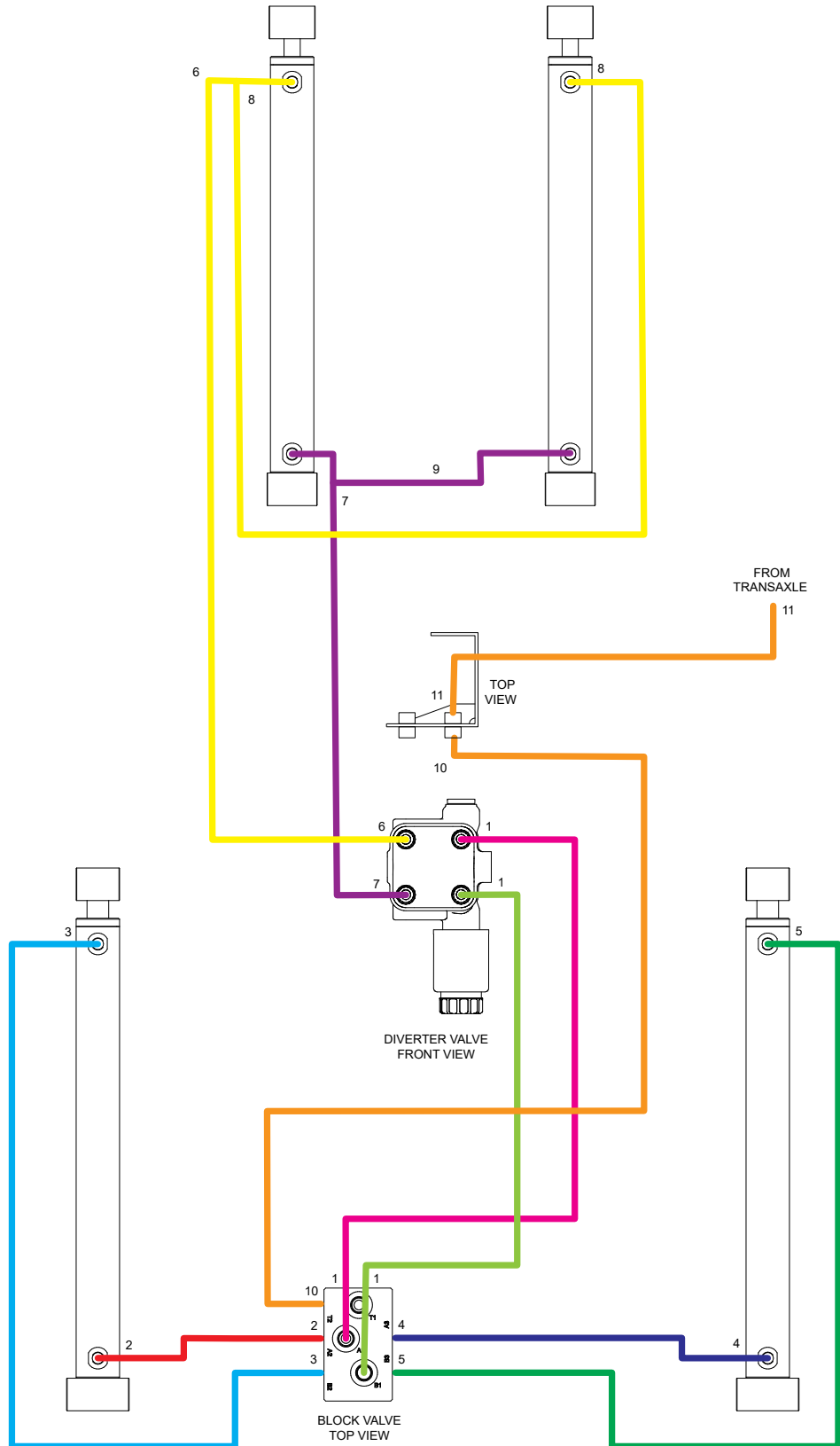
# PARTS

## Hydraulic Tilt

REF.	PART NO.	DESCRIPTION	QTY.
1	23.0223	Valve Block, Assembly with Relief Valve	1
2	KM-1258	Bracket, Indicator Rod	1
3	23.0177	Coupler, Female Flat Face Quick 1/4	1
4	99.SF0532-1	Bolt, SMF 5/16-18 X 4	1
5	99.SF05	Nut, SRF 5/16-18 USS	5
6	99.SF0518-1	BOLT, SMF 5/16-18 X 2-1/4	1
7	99.SF0512-1	Bolt, SMF 5/16-18 X 1-1/2	2
8	KM-1392	Plate	1
9	99.SF0404-1	Bolt, SMF 1/4-20 X 1/2	2
10	99.SF04	Nut, SRF 1/4-20 USS	2
11	25.FF6500-08-08	Fitting, 90 Elbow 8MFF x 8FSX	1
12	25.FF2406-08-06	FITTING, STRAIGHT REDUCER -08FF X -06MF	1
13	44.0256	Clamp, Hyd Hose 12.7mm ID 2 Cavity (Set of 2)	1
14	44.0229	Cover Plate, Group 2D (2 Cavity)	1
15	25.FF6801-06-06	Fitting, 90 Elbow - 6MFF X 6MB	6
16	25.FF6802-06-06	Fitting, 45 Elbow - 6Mff X 6Mb	2
17	25.FF6400-06-06	Fitting, Connector -06MFF x -06MB	2
18	25.FF6801-L-06-06	Fitting, 90 Elbow LNG 6MB x 6MFF	1
19	25.6408-H-06	Fitting, -06 MB x Hollow Allen	1
20	23.0104	Coupler, Quick Male 1/4	2
21	23.0176	Coupler, Male Flat Face Quick 1/4	1
22	05.0156	Washer, .544 ID x .817 x .14 Nat	1
23	05.0157	Washer, .544 ID x .817 x .14 Blk	1
24	KM-1081	Bushing, .510 x 1.00 x 4-3/4	2
25	KM-1259	Spacer, .510 ID x 3/4 OD x .500	1
26	KM-1310	Bushing, .510 x 1.00 x 2-1/2	2
27	85.B0102	Bushing, 1.000 ID x 1.125 OD x 1 L	16
28	99.SF0516-1	Bolt, SMF 5/16-18 x 2	1
29	95.08	Washer, Flat 1/2 SAE	6
30	99.E0103	Nut, Locking Flange 1/2-13	6
31	90.0830	Bolt, Hex 1/2-13 UNC x 3-3/4	2
32	90.0838	Bolt, 1/2-13 USS x 4-3/4	2
33	90.0852	Bolt, 1/2-13 USS x 6-1/2	1
34	90.0856	Bolt, 1/2-13 USS x 7	1
35	23.0197	Coupler, Hyd Quick Female 1/4 ORB	2
36	25.6403-06-06	Fitting, St. Union 06MB x 06MB	2
37	KM-6101	Weldment, Dual Valve Mount	1
38	20.0461	Hose, 1/4x33.00 SAE 100R17	1
39	20.0439	Hose, 1/4x35.00 SAE 100R 17	1
40	20.0439	Hose, 1/4x35.00 SAE 100R17	1
41	20.0410	Hose, 1/4x28.00 SAE 100R17	1
42	99.SF0522-1	Bolt, SMF 5/16-18 x 2-3/4	1
43	KM-6063	Rod, Indicator	1
44	20.0440	Hose, 1/4x60.00 SAE 100R17	1
45	20.0441	Hose, 1/4x78.00 SAE 100R17	1
46	20.0442	Hose, 1/4x77.00 SAE 100R17	1
47	20.0443	Hose, 1/4x95.00 SAE 100R17	1
48	23.0218	Cylinder, 1-1/2" X 16"	2
49	KM-1149	Bushing, .510 x 1.00 x 3-1/16	2
50	KM-1458	Link, Outer Tool	4
51	KM-6112	Link, Inner Tool	4
52	25.FF2764-06-06-LN	Fitting, Bulkhead Straight 3/8	1
60	23.0221	Valve, Relief 1800 PSI	1

# PARTS

## ILLUSTRATED DRAWING Hydraulic Diagram



# PARTS

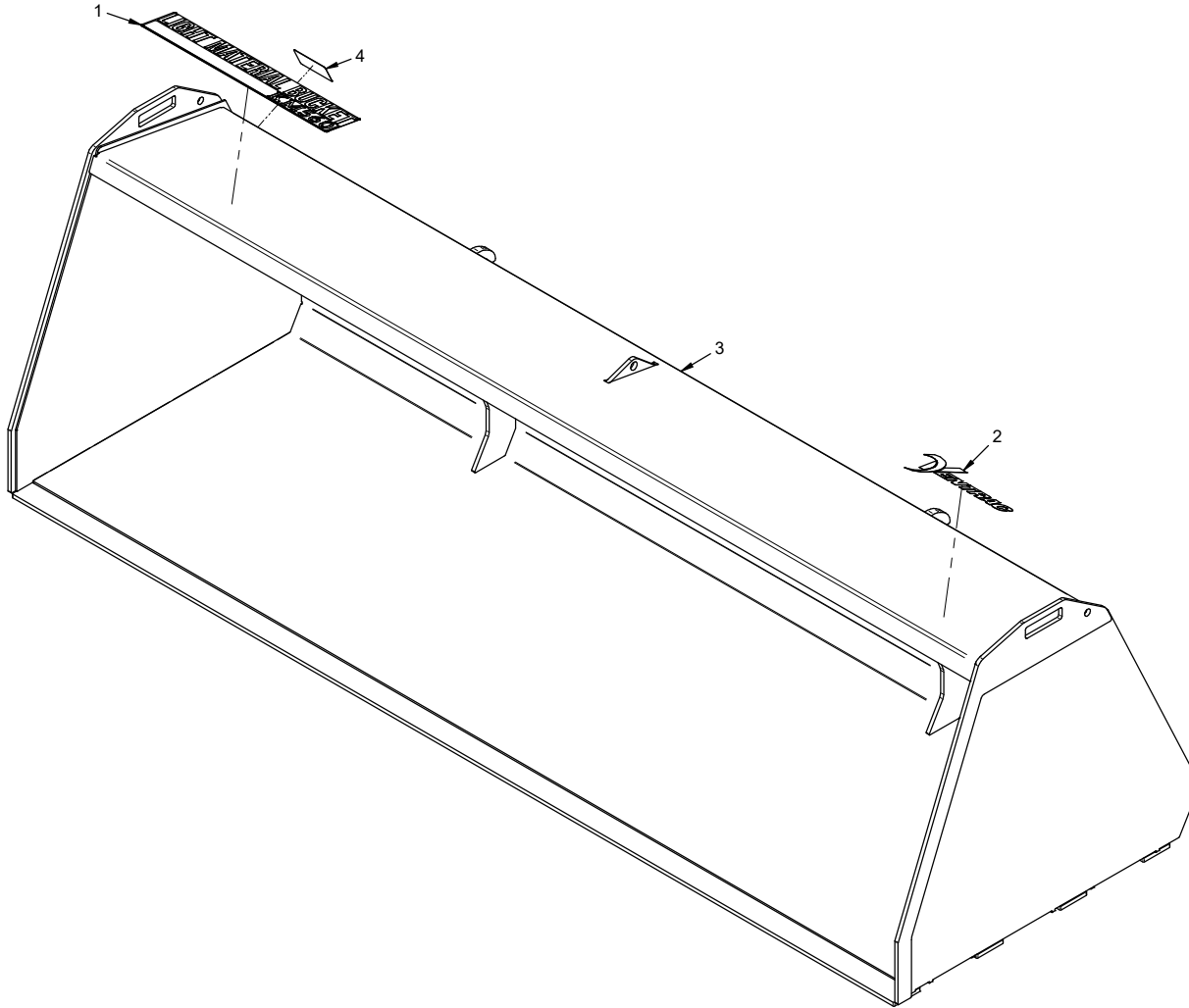
## Hydraulic Diagram

REF.	PART NO.	DESCRIPTION	QTY.
1	20.0439	Hose, 1/4x35.00 SAE 100R17	2
2	20.0440	Hose, 1/4x60.00 SAE 100R17	1
3	20.0441	Hose, 1/4x78.00 SAE 100R17	1
4	20.0442	Hose, 1/4x77.00 SAE 100R17	1
5	20.0443	Hose, 1/4x95.00 SAE 100R17	1
6	20.0444	Hose, 1/4x28.00 SAE 100R17	1
7	20.0445	Hose, 1/4x42.00 SAE 100R17	1
8	20.0441	Hose, 1/4x78.00 SAE 100R17	1
9	20.0447	Hose, 1/4x34.00 SAE 100R17	1
10	20.0410	Hose, 1/4x28.00 SAE 100R17	1
11	20.0461	Hose, 1/4x33.00 SAE 100R17	1

# OPTIONS

---

## ILLUSTRATED DRAWING 70.8244 Light Material Bucket



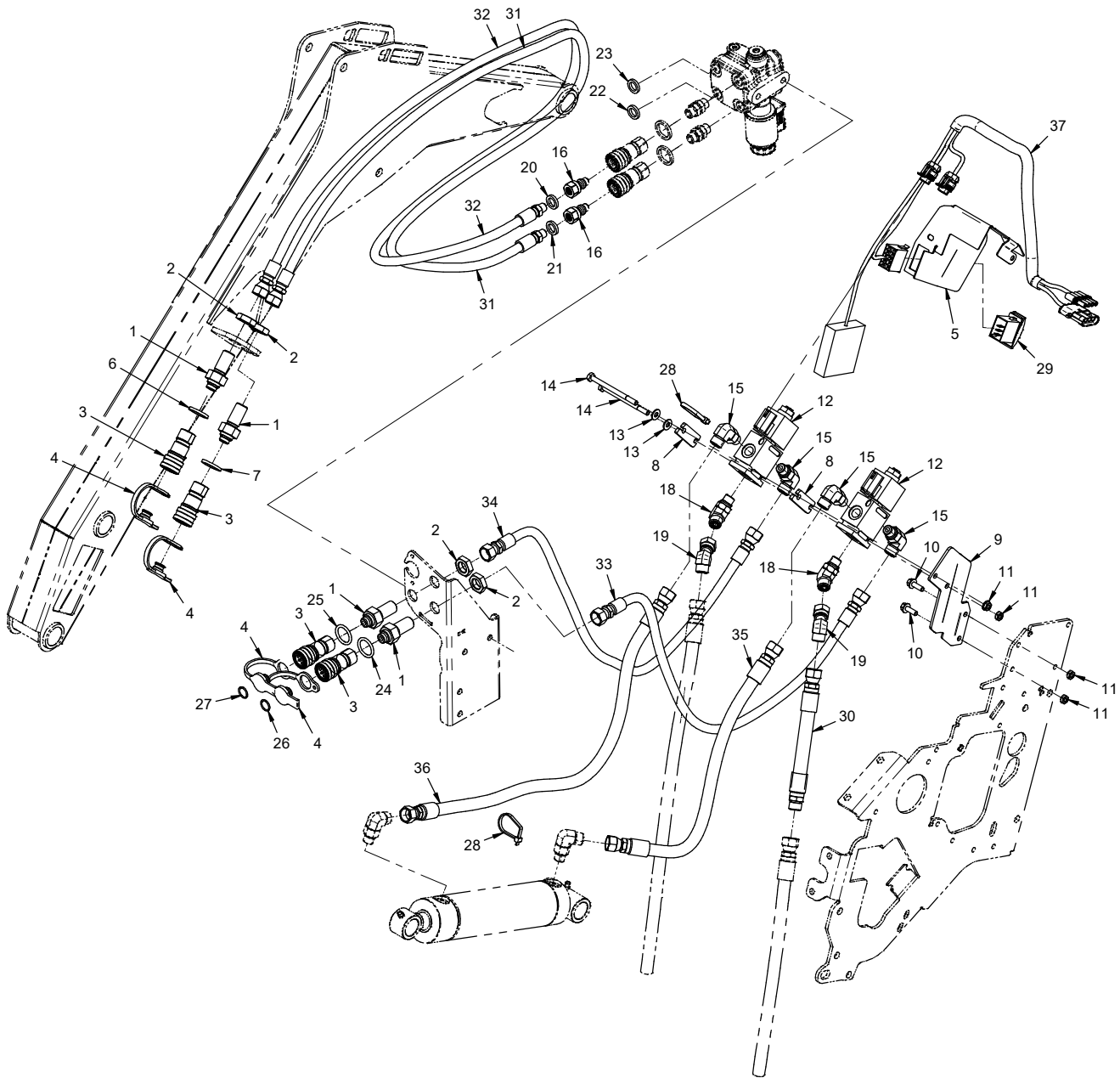
# OPTIONS

## 70.8244 Light Material Bucket

REF.	PART NO.	DESCRIPTION	QTY.
1	00.0752	Decal, KM560	1
2	00.0688	Decal, Ventrac White	1
3	KM-6103	Bucket, 56" Light Material	1
4	00.0757	Decal, Tipping Hazard - KM660	1

# OPTIONS

## ILLUSTRATED DRAWING 70.8252 Third Aux Function





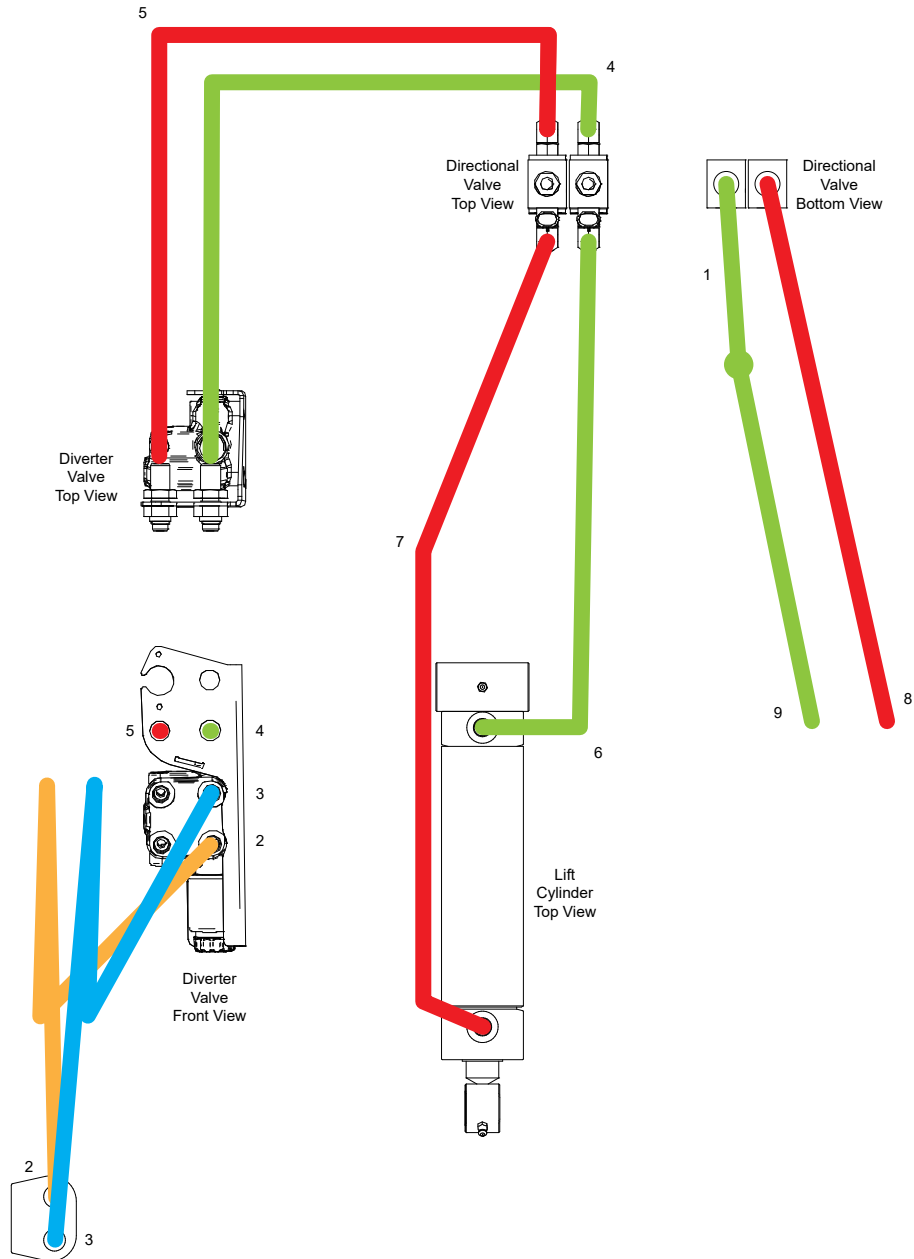
# OPTIONS

## 70.8252 Third Aux Function

REF.	PART NO.	DESCRIPTION	QTY.
1	25.FF2764-06-06-LN	.Fitting, Bulkhead Straight 3/8	4
2	25.FF306-06	.Locknut, -06 Bulkhead Fitting	4
3	23.0197	.Coupler, Hyd Quick Female 1/4 ORB	4
4	23.0126	.Plug, Dust for 23.0106	4
5	KM-1379	.Cover, Parking Brake	1
6	05.0193	.Washer, .905 ID x 1.170 x .140 White	1
7	05.0192	.Washer, .905 ID x 1.170 x .140 Black	1
8	64.1649	.Plate, Spacer Hyd Valve	2
9	64.1650	.Bracket, Dual Valve Mount	1
10	99.SF0406-1	.Bolt, SMF 1/4-20 X 3/4	2
11	99.SF04	.Nut, SRF 1/4-20 USS	4
12	23.0164	.Valve, Directional 12V	2
13	95.04	.Washer, Flat 1/4 SAE	2
14	90.0428	.Bolt, 1/4-20 USS x 3-1/2	2
15	25.FF6801-06-06	.Fitting, 90 Elbow - 6MFF X 6MB	4
16	23.0104	.Coupler, Quick Male 1/4	2
17	02.CP0406	.Cotter Pin, 1/8 X 3/4, Zinc (Not Illustrated)	1
18	25.FF6802-06-06	.Fitting, 45 Elbow - 6Mff X 6Mb	2
19	25.FF6502-06-06	.Fitting, 45 Elbow -06MF x -06FF	2
20	05.0156	.Washer, .544 ID x .817 x .14 Nat	1
21	05.0157	.Washer, .544 ID x .817 x .14 Blk	1
22	05.0116	.Washer, .544 ID x .817 x .14 Red	1
23	05.0117	.Washer, .544 ID x .817 x .14 Yel	1
24	26.0059	.O-Ring, -213, Green for KM500	1
25	26.0060	.O-Ring, -213, Blue for KM500	1
26	26.0061	.O-Ring, -015, Green for KM500	1
27	26.0062	.O-Ring, -015, Blue for KM500	1
28	30.0204	.Tyton Tie, #50 .190 x 12"	5
29	31.0053	.Switch, Rocker On/Off	1
30	20.0460	.Hose, 3/8x7.50 SAE 100R17	1
31	20.0448	.Hose, 1/4x70.00 SAE 100R17	1
32	20.0448	.Hose, 1/4x70.00 SAE 100R17	1
33	20.0457	.Hose, 1/4x23.00 SAE 100R17	1
34	20.0457	.Hose, 1/4x23.00 SAE 100R17	1
35	20.0458	.Hose, 3/8x15.00 SAE 100R17	1
36	20.0459	.Hose, 3/8x24.00 SAE 100R17	1
37	32.0255	.Harness, Wire 3rd Aux	1

# OPTIONS

## ILLUSTRATED DRAWING 70.8252 Third Aux Function Hydraulic Diagram



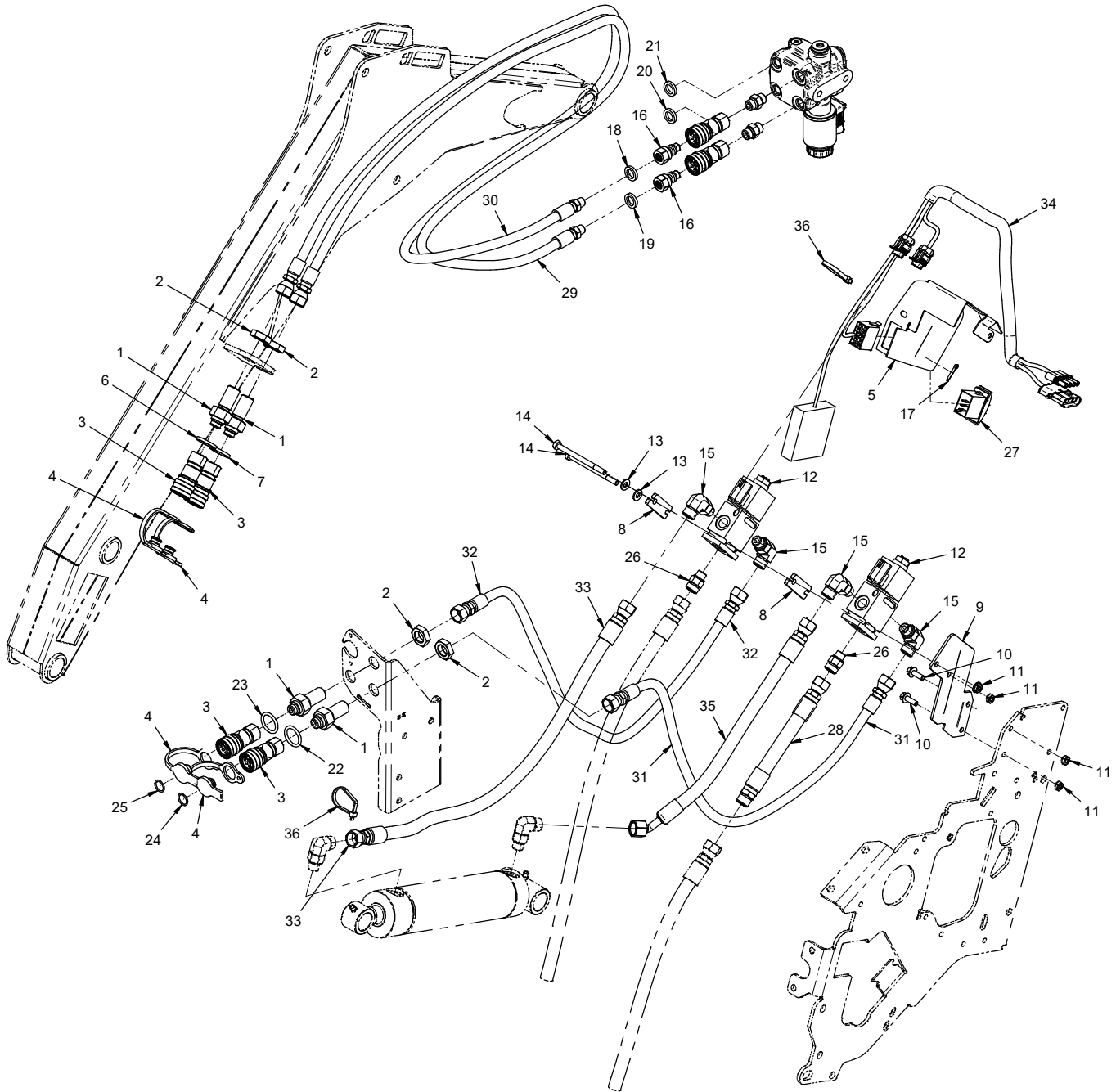
# OPTIONS

## 70.8252 Third Aux Function Hydraulic Diagram

REF.	PART NO.	DESCRIPTION	QTY.
1	20.0460	Hose, 3/8x7.50 SAE 100R17	1
2	20.0448	Hose, 1/4x70.00 SAE 100R17	1
3	20.0448	Hose, 1/4x70.00 SAE 100R17	1
4	20.0457	Hose, 1/4x23.00 SAE 100R17	1
5	20.0457	Hose, 1/4x23.00 SAE 100R17	1
6	20.0458	Hose, 3/8x15.00 SAE 100R17	1
7	20.0459	Hose, 3/8x24.00 SAE 100R17	1
8	20.0398	Hose, 1/4x58.00 SAE 100R17AR (from Front Hitch Hydraulic Lift)	1
9	20.0397	Hose, 1/4x48.00 SAE 100R17AR (from Front Hitch Hydraulic Lift)	1

# OPTIONS

## ILLUSTRATED DRAWING 70.8257 Third Aux Function



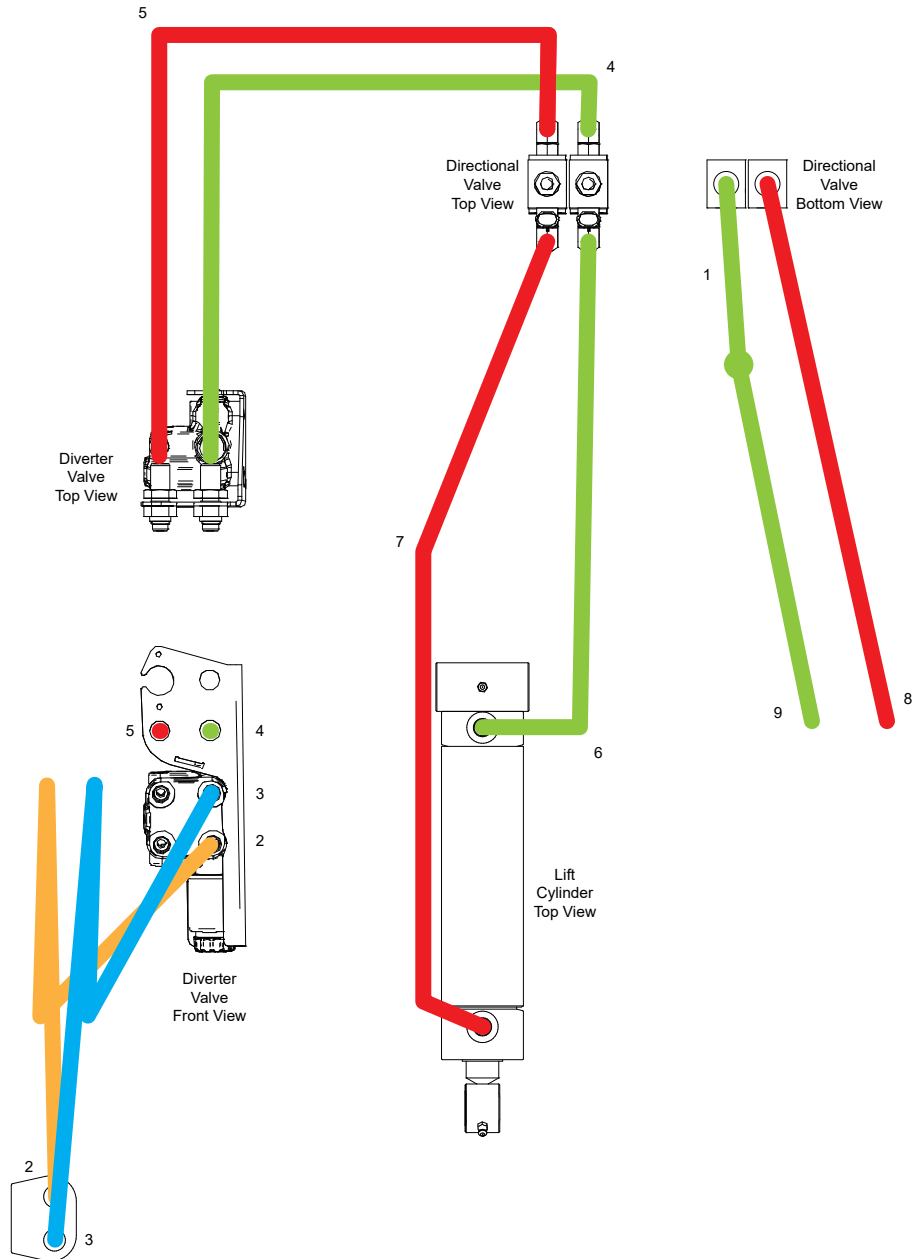
# OPTIONS

## 70.8257 Third Aux Function

REF.	PART NO.	DESCRIPTION	QTY.
1	25.FF2764-06-06-LN	.Fitting, Bulkhead Straight 3/8	4
2	25.FF306-06	.Locknut, -06 Bulkhead Fitting	4
3	23.0197	.Coupler, Hyd Quick Female 1/4 ORB	4
4	23.0126	.Plug, Dust for 23.0106	4
5	60.1142	.Cover, Parking Brake	1
6	05.0193	.Washer, .905 ID x 1.170 x .140 White	1
7	05.0192	.Washer, .905 ID x 1.170 x .140 Black	1
8	64.1649	.Plate, Spacer HYD Valve	2
9	64.1650	.Bracket, Dual Valve Mount	1
10	99.SF0406-1	.Bolt, SMF 1/4-20 X 3/4	2
11	99.SF04	.Nut, SRF 1/4-20 USS	4
12	23.0164	.Valve, Directional 12V	2
13	95.04	.Washer, Flat 1/4 SAE	2
14	90.0428	.Bolt, 1/4-20 USS x 3-1/2	2
15	25.FF6801-06-06	.Fitting, 90 Elbow - 6MFF X 6MB	4
16	23.0104	.Coupler, Quick Male 1/4	2
17	02.CP0406	.Cotter Pin, 1/8 X 3/4, Zinc	1
18	05.0156	.Washer, .544 ID x .817 x .14 Nat	1
19	05.0157	.Washer, .544 ID x .817 x .14 Blk	1
20	05.0116	.Washer, .544 ID x .817 x .14 Red	1
21	05.0117	.Washer, .544 ID x .817 x .14 Yel	1
22	26.0059	.O-Ring, -213, Green for KM500	1
23	26.0060	.O-Ring, -213, Blue for KM500	1
24	26.0061	.O-Ring, -015, Green for KM500	1
25	26.0062	.O-Ring, -015, Blue for KM500	1
26	25.FF6400-06-06	.Fitting, Connector -06MFF x -06MB	2
27	31.0053	.Switch, Rocker On/Off	1
28	20.0460	.Hose, 3/8x7.50 SAE 100R17	1
29	20.0448	.Hose, 1/4x70.00 SAE 100R17	1
30	20.0448	.Hose, 1/4x70.00 SAE 100R17	1
31	20.0464	.Hose, 1/4x24.50 SAE 100R17	1
32	20.0464	.Hose, 1/4x24.50 SAE 100R17	1
33	20.0459	.Hose, 3/8x24.00 SAE100R17	1
34	32.0255	.Harness, Wire 3rd Aux	1
35	20.0465	.Hose, 3/8x15.00 SAE 100R17	1
36	30.0204	.Tyton Tie, #50 .190 x 12"	5

# OPTIONS

## ILLUSTRATED DRAWING 70.8257 Third Aux Function Hydraulic Diagram



# OPTIONS

## 70.8257 Third Aux Function Hydraulic Diagram

REF.	PART NO.	DESCRIPTION	QTY.
1	20.0460	Hose, 3/8x7.50 SAE 100R17	1
2	20.0448	Hose, 1/4x70.00 SAE 100R17	1
3	20.0448	Hose, 1/4x70.00 SAE 100R17	1
4	20.0464	Hose, 1/4x24.50 SAE 100R17	1
5	20.0464	Hose, 1/4x24.50 SAE 100R17	1
6	20.0465	Hose, 3/8x15.00 SAE 100R17	1
7	20.0459	Hose, 3/8x24.00 SAE 100R17	1
8	20.0398	Hose, 1/4x58.00 SAE 100R17AR (from Front Hitch Hydraulic Lift)	1
9	20.0397	Hose, 1/4x48.00 SAE 100R17AR (from Front Hitch Hydraulic Lift)	1





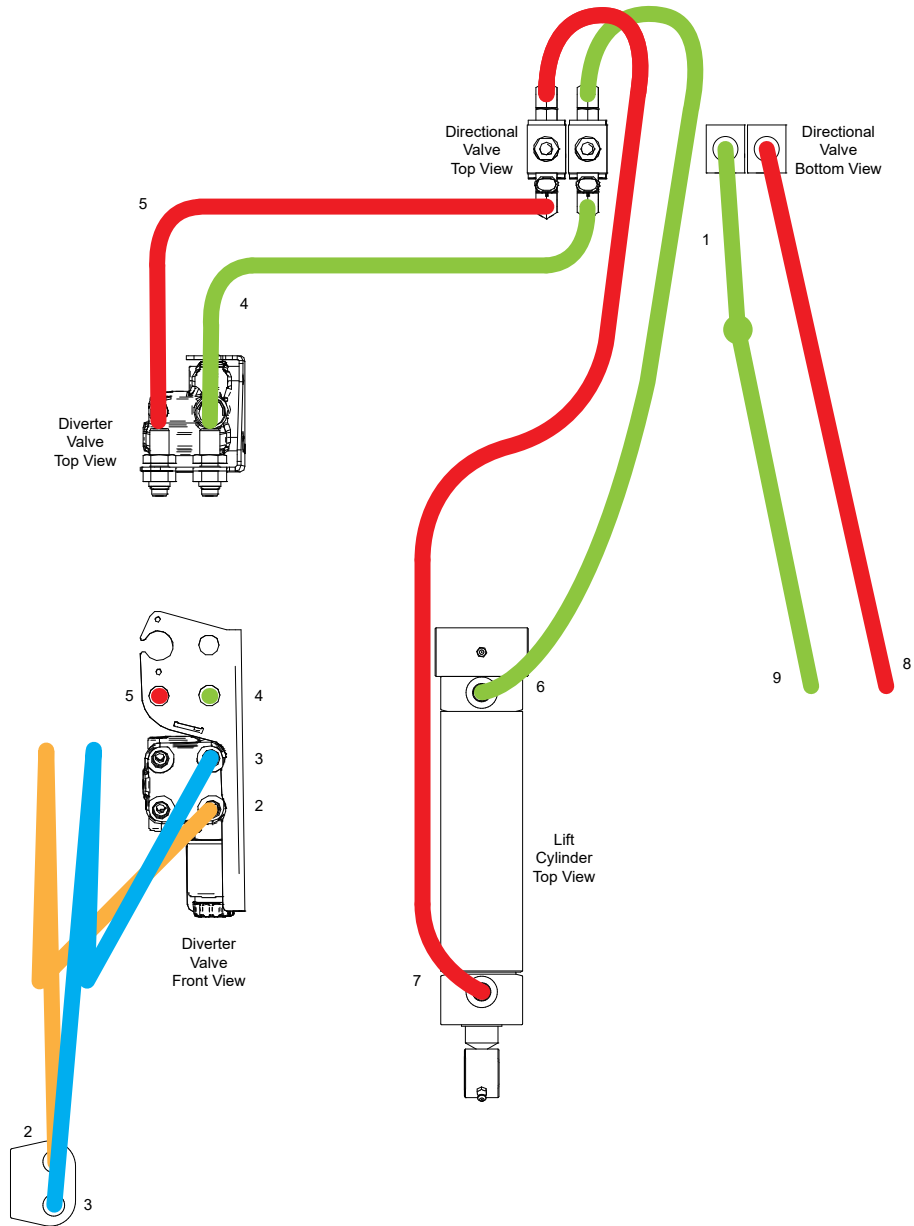
# OPTIONS

## 70.8266 Third Aux Function

REF.	PART NO.	DESCRIPTION	QTY.
1	KM-1379	Cover, Parking Brake	1
2	KN-1528	Bracket, 3rd Aux Valve Mount	1
3	99.SF0406-1	Bolt, SMF 1/4-20 X 3/4	2
4	99.SF04	Nut, SRF 1/4-20 USS	4
5	23.0164	Valve, Directional 12V	2
6	64.1649	Plate, Spacer Hyd. Valve	2
7	95.04	Washer, Flat 1/4 SAE	2
8	90.0428	Bolt, 1/4-20 USS x 3-1/2	2
9	25.FF6400-06-06	Fitting, Connector -06MFF x -06MB	2
10	25.FF6801-06-06	Fitting, 90 Elbow - 6MFF X 6MB	4
11	25.FF2764-06-06-LN	Fitting, Bulkhead Straight 3/8	4
12	23.0197	Coupler, Hyd Quick Female 1/4 ORB	4
13	23.0126	Plug, Dust for 23.0106	4
14	05.0192	Washer, .905 ID x 1.170 x .140 Black	1
15	05.0193	Washer, .905 ID x 1.170 x .140 White	1
16	05.0157	Washer, .544 ID x .817 x .14 Blk	1
17	05.0156	Washer, .544 ID x .817 x .14 Nat	1
18	23.0104	Coupler, Quick Male 1/4	2
19	05.0117	Washer, .544 ID x .817 x .14 Yel	1
20	05.0116	Washer, .544 ID x .817 x .14 Red	1
21	26.0059	O-Ring, -213, Green for KM500	1
22	26.0060	O-Ring, -213, Blue for KM500	1
23	26.0061	O-Ring, -015, Green for KM500	1
24	26.0062	O-Ring, -015, Blue for KM500	1
25	02.CP0406	Cotter Pin, 1/8 X 3/4, Zinc	1
26	00.0769	Decal, 3rd Aux Switch	1
27	30.0204	Tyton Tie, #50 .190 x 12"	5
28	20.0448	Hose, 1/4x70.00 SAE 100R17	1
29	20.0448	Hose, 1/4x70.00 SAE 100R17	1
30	31.0053	Switch, Rocker On/Off	1
31	32.0255	Harness, Wire 3rd Aux	1
32	20.0460	Hose, 3/8x7.50 SAE 100R17	1
33	20.0266	Hose, 3/8x17.00 SAE 100R17AR	1
34	20.0470	Hose, 3/8x29.00 SAE 100R17	1
35	20.0471	Hose, 1/4x26.50 SAE 100R17	1
36	20.0471	Hose, 1/4x26.50 SAE 100R17	1

# OPTIONS

## ILLUSTRATED DRAWING 70.8266 Third Aux Function Hydraulic Diagram



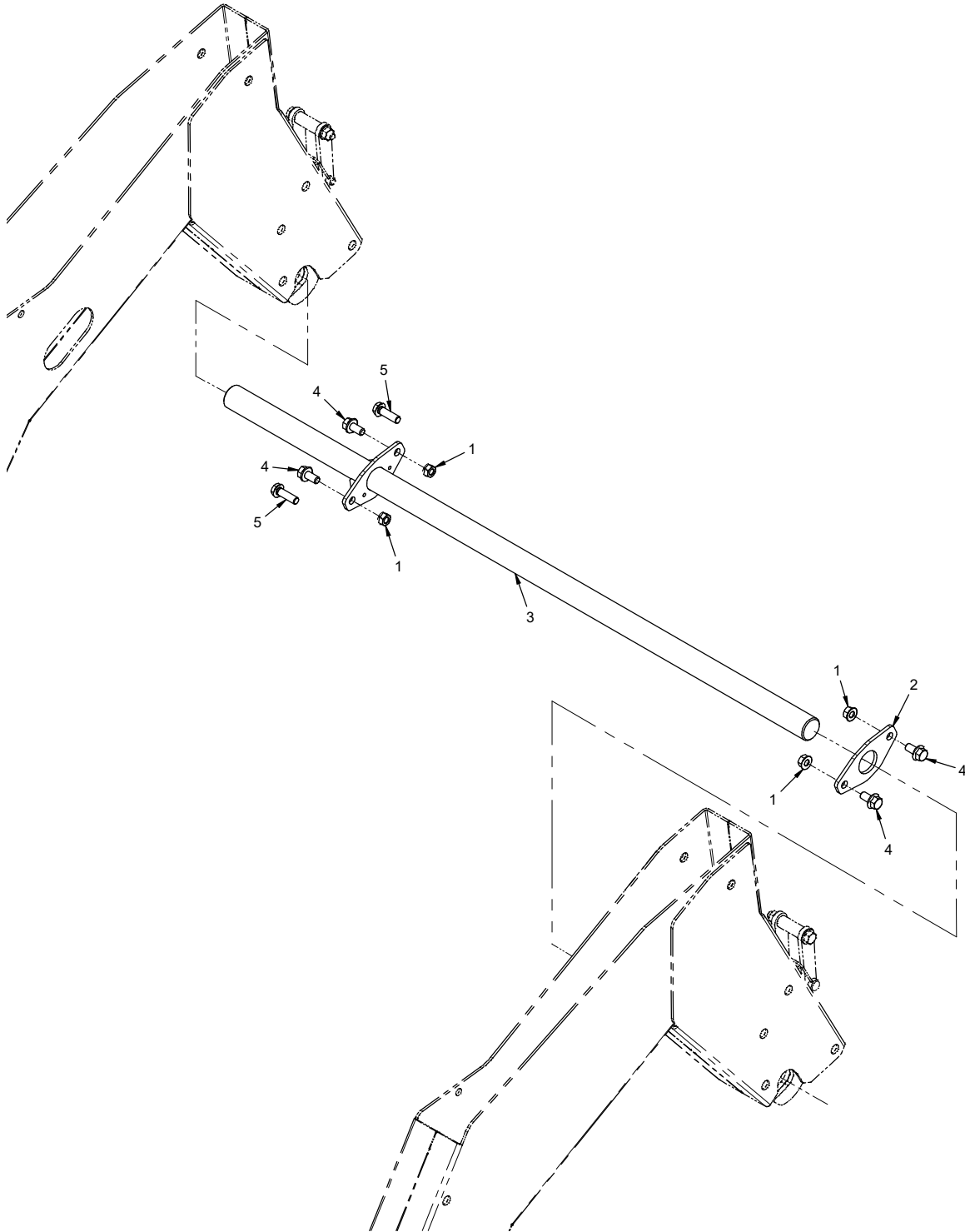
# OPTIONS

## 70.8266 Third Aux Function Hydraulic Diagram

REF.	PART NO.	DESCRIPTION	QTY.
1	20.0460	Hose, 3/8x7.50 SAE 100R17	1
2	20.0448	Hose, 1/4x70.00 SAE 100R17	1
3	20.0448	Hose, 1/4x70.00 SAE 100R17	1
4	20.0471	Hose, 1/4x26.50 SAE 100R17	1
5	20.0471	Hose, 1/4x26.50 SAE 100R17	1
6	20.0266	Hose, 3/8x17.00 SAE 100R17AR	1
7	20.0470	Hose, 3/8x29.00 SAE 100R17	1
8	20.0398	Hose, 1/4x58.00 SAE 100R17AR (from Front Hitch Hydraulic Lift)	1
9	20.0397	Hose, 1/4x48.00 SAE 100R17AR (from Front Hitch Hydraulic Lift)	1

# OPTIONS

## ILLUSTRATED DRAWING Loader Rear Crossbar (Kit #70.4196)



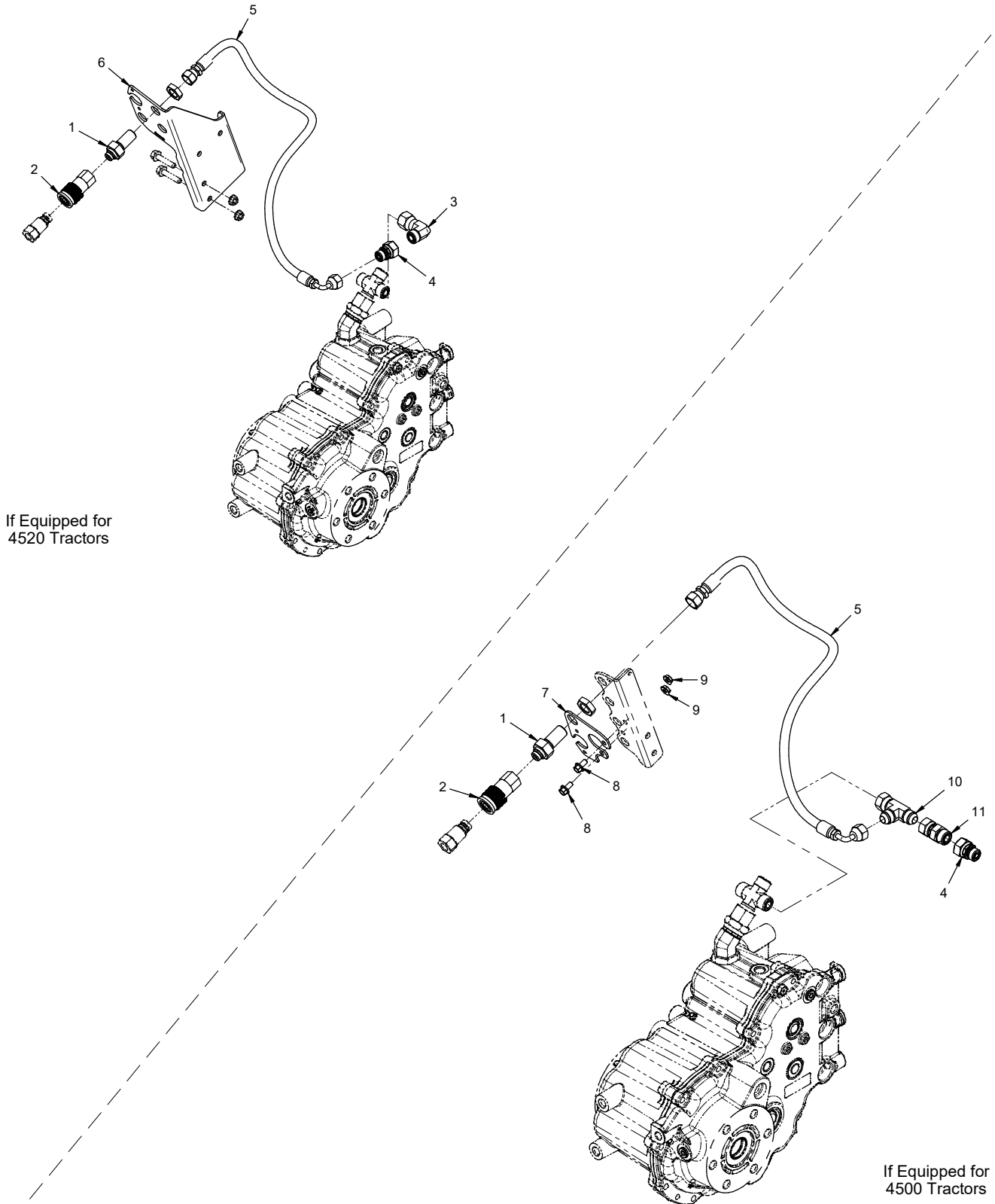
# OPTIONS

## Loader Rear Crossbar (Kit #70.4196)

REF.	PART NO.	DESCRIPTION	QTY.
1	99.SF06	Nut, SRF 3/8-16 USS	4
2	64.1029	Converted To SE.	1
3	42.0455	Converted To SE.	1
4	99.SF0606-1	Bolt, SMF 3/8-16 USS x 3/4.	4
5	99.SF0610-1	Bolt, SMF 3/8-16 USS x 1-1/4 (If equipped with Dual Aux Support).	2

# OPTIONS

## ILLUSTRATED DRAWING Relief Valve (Kit #70.8253)



# OPTIONS

## Relief Valve (Kit 70.8253)

REF.	PART NO.	DESCRIPTION	QTY.
1	25.FF2706-06-04-LN	Fitting, Bulkhead Adapter -06MF x -04MP w/LN.	1
2	23.0177	Coupler, Female Flat Face Quick 1/4	1
3	25.FF6500-08-08	Fitting, 90 Elbow 8MFF x 8FSX	1
4	25.FF2406-08-06	FITTING, STRAIGHT REDUCER -08FF X -06MF	1
5	20.0461	Hose, 1/4x33.00 SAE 100R17	1
6	KM-6101	Weldment, Dual Valve Mount	1
7	KM-1392	Plate, Relief Hose Mount	1
8	99.SF0404-1	Bolt, SMF 1/4-20 X 1/2.	2
9	99.SF04	Nut, SRF 1/4-20 USS	2
10	25.6602-8-8-8.	Fitting, Tee 08Mjx08Mj X 08Fjx	1
11	25.FF6412-08-08	Fitting, Adapter Str 08MF x 08FJIC	1