

KM300

Log Grapple





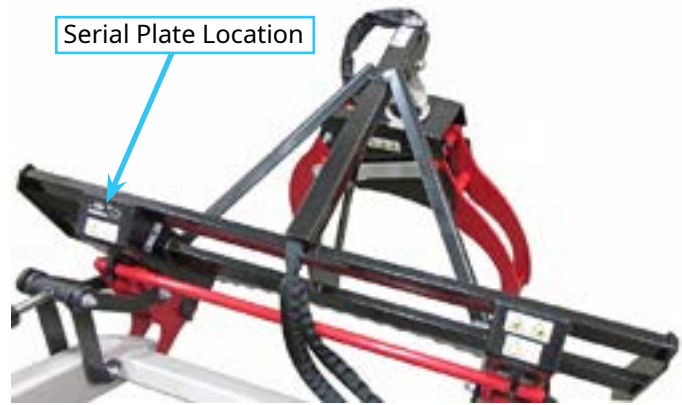
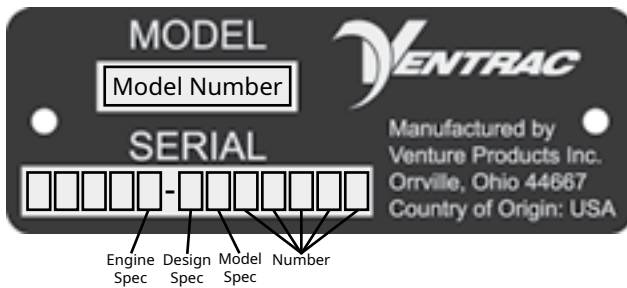
500 Venture Drive
Orrville Oh 44667
www.ventrac.com

[View all manuals](#)



Visit ventrac.com/manuals for the latest version of this parts manual. A downloadable operator's manual is also available.

Serial Number Description



Notes

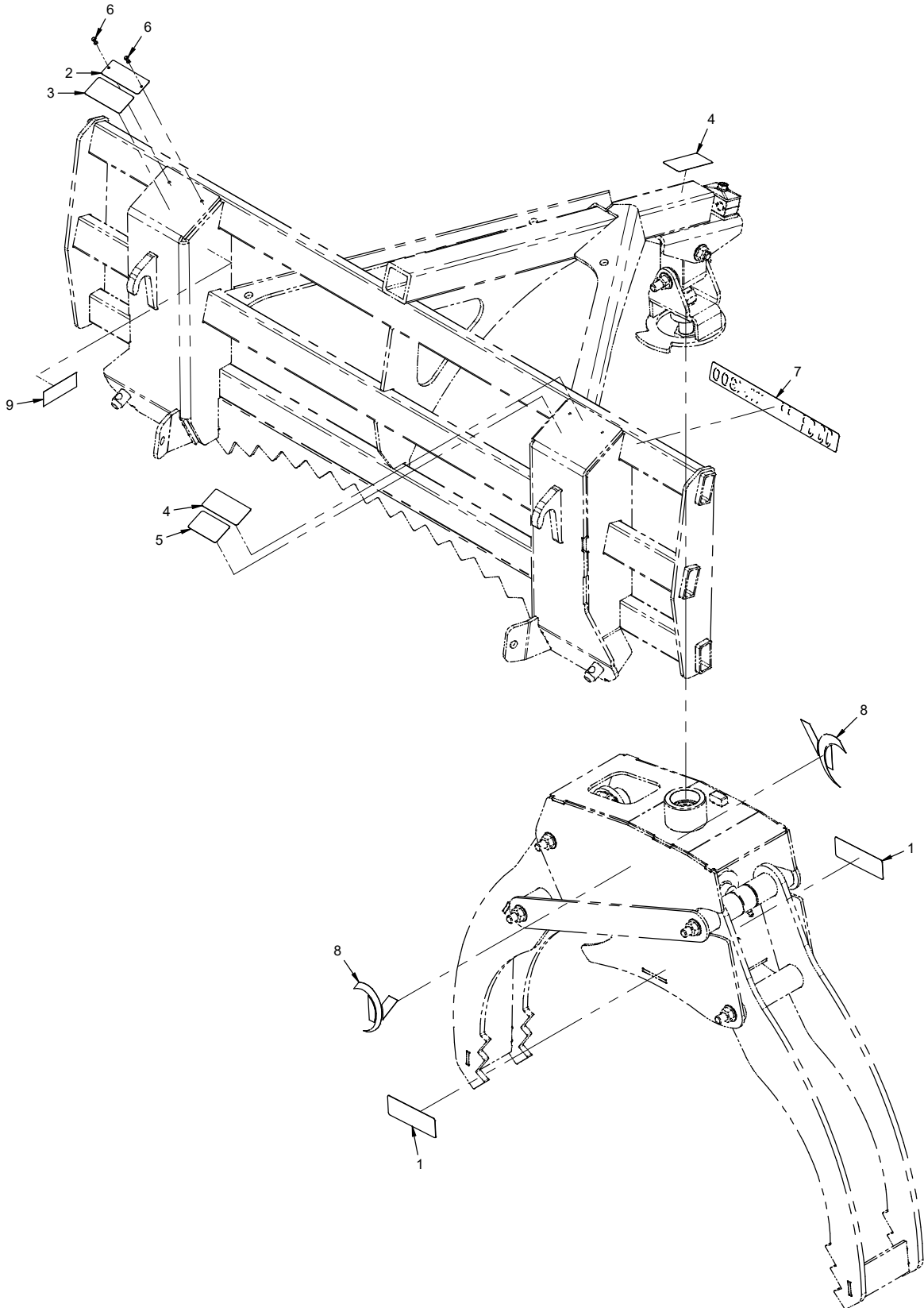
- If any component requires replacement, use only original Ventrac replacement parts.
- When ordering new components, be sure to order all required safety decals. All current safety decals must be affixed to the replacement components prior to installation of the component.

TABLE OF CONTENTS

PARTS	PAGE 4
Decals.....	4
Frame & Log Grapple.....	6
Hydraulics.....	8

PARTS

ILLUSTRATED DRAWING Decals



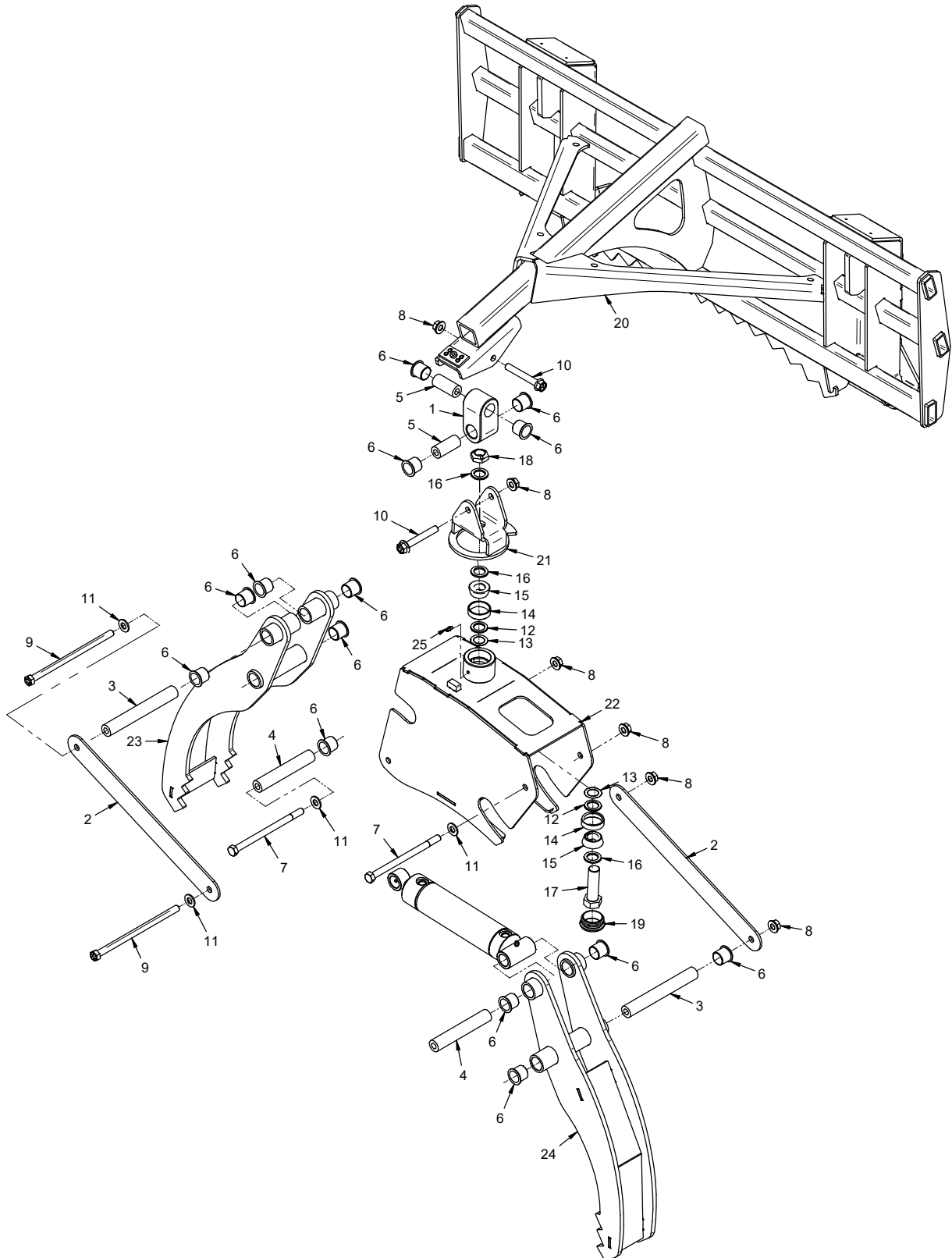
PARTS

Decals

REF.	PART NO.	DESCRIPTION	QTY.
1	00.0620	Decal, Pinching or Crushing Hazard	2
2	N/A	Plate, Ventrac Serial Number	1
3	00.0619	Decal, Read Operator's Manual	1
4	00.0621	Decal, High Pressure Fluid Hazard	2
5	00.0756	Decal, Tipping Hazard - KM300	1
6	04.0032	Rivet, Pop 1/8 X 1/2	2
7	00.0753	Decal, KM300	1
8	00.0716	Decal, V White	2
9	00.0100	Decal, Built in the USA	1

PARTS

ILLUSTRATED DRAWING Frame & Log Grapple



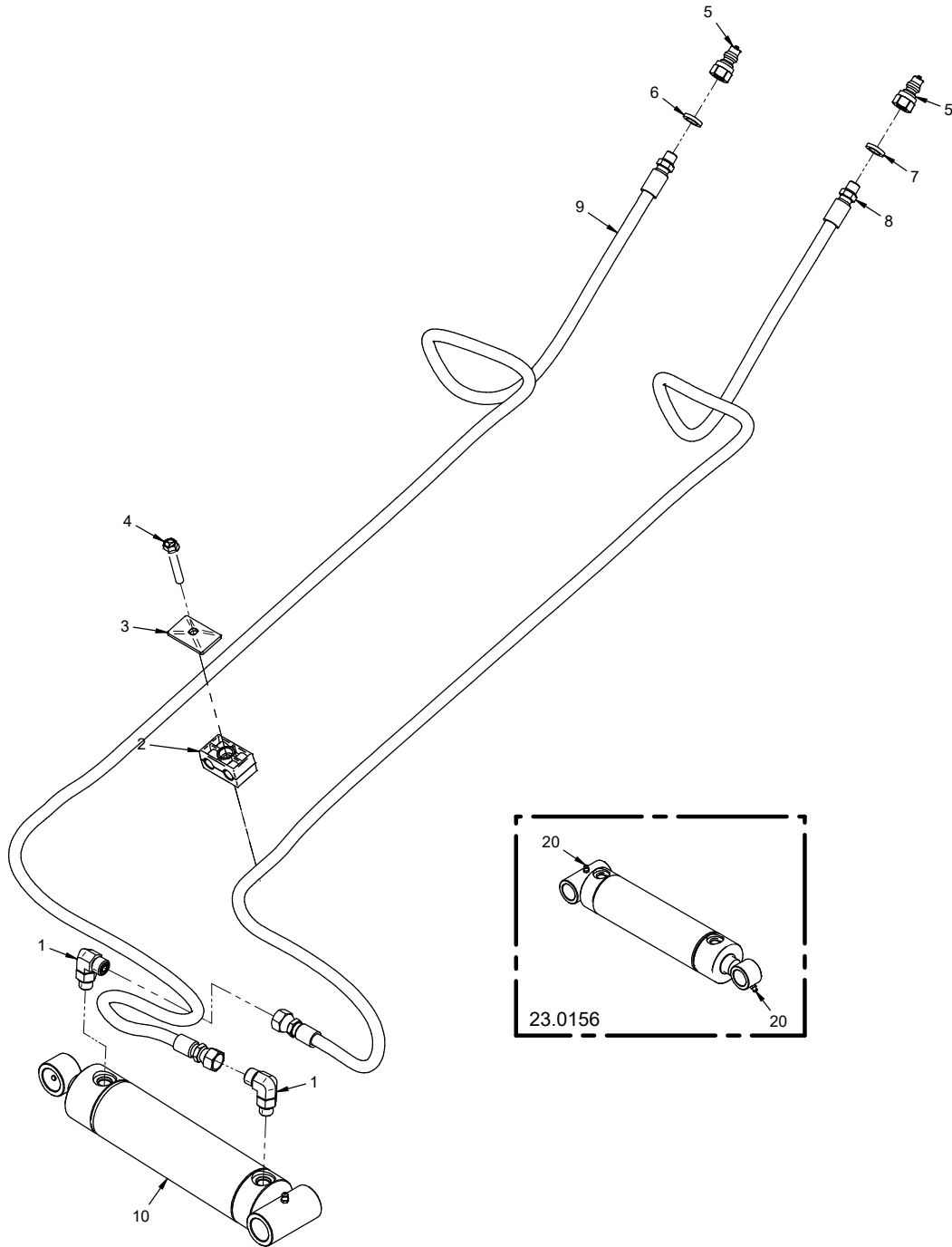
PARTS

Frame & Log Grapple

REF.	PART NO.	DESCRIPTION	QTY.
1	KM-1428	.Block, Pivot	1
2	KM-1233	.Link, Grapple Jaw	2
3	KM-1246	.Bushing, Grapple Pivot Long	2
4	KM-1247	.Bushing, Grapple Pivot Narrow	2
5	KM-1248	.Bushing, Pivot Block	2
6	85.B0102	.Bushing, 1.000 ID x 1.125 OD x 1 L	14
7	90.0860	.Bolt, 1/2-13 USS x 7-1/2	2
8	99.E0103	.Nut, Locking Flange 1/2-13	6
9	90.0872	.Bolt, 1/2-13 USS x 9	2
10	99.SF0828-1	.Bolt, SMF 1/2-13 x 3-1/2	2
11	95.08	.Washer, Flat 1/2 SAE	4
12	85.B0099	.Bushing, .875ID x 1.375OD x .120T	2
13	85.B0101	.Bushing, .005 Spacer	2
14	55.LM12710	.Bearing, Cup	2
15	55.LM12749LA2	.Bearing, Taper Roller Cone	2
16	99.B0119	.Washer, Mach 7/8 x 1-3/8 x 10 GA	3
17	99.M0046	.BOLT, M22x 1.5x 75 Class 10.9	1
18	99.M0047	.Locknut, Stover M22 x 1.5 ZP	1
19	05.0172	.Plug, Rnd. 11/16 - 13/16 Tube	1
20	KM-6051	.Frame, Grapple Main	1
21	KM-6093	.Frame, Ring	1
22	KM-6055	.Frame, Grapple Jaw	1
23	KM-6056	.Jaw, Grapple Wide	1
24	KM-6057	.Jaw, Grapple Narrow	1
25	29.GF0001	.Grease Ftg, 1/4 SAE ST	1

PARTS

ILLUSTRATED DRAWING Hydraulics



PARTS

Hydraulics

REF.	PART NO.	DESCRIPTION	QTY.
1	25.FF6801-06-06	Fitting, 90 Elbow - 6MFF X 6MB	2
2	44.0256	Clamp, Hyd Hose 12.7mm ID 2 Cavity (Set of 2)	1
3	44.0229	Cover Plate, Group 2D (2 Cavity)	1
4	99.SF0516-1	Bolt, SMF 5/16-18 x 2	1
5	23.0104	Coupler, Quick Male 1/4	2
6	05.0157	Washer, .544 ID x .817 x .14 Blk	1
7	05.0156	Washer, .544 ID x .817 x .14 Nat	1
8	20.0466	Hose, 1/4x102.00 SAE 100R17	1
9	20.0467	Hose, 1/4x117.00 SAE 100R17	1
10	23.0156	Cylinder, 2-1/4" x 7" Lift	1
20	29.GF0001	Grease Ftg, 1/4 SAE ST	2