

NW3 10

Windscreen





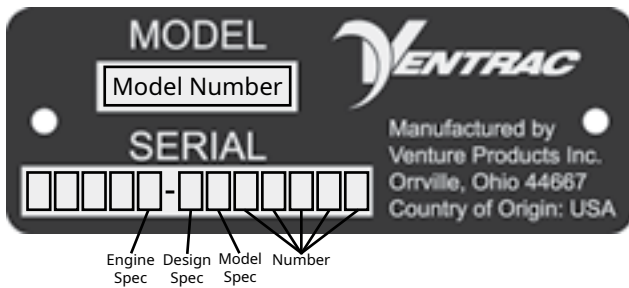
500 Venture Drive
Orrville Oh 44667
www.ventrac.com

[View all manuals](#)



Visit ventrac.com/manuals for the latest version of this parts manual. A downloadable operator's manual is also available.

Serial Number Description



Notes

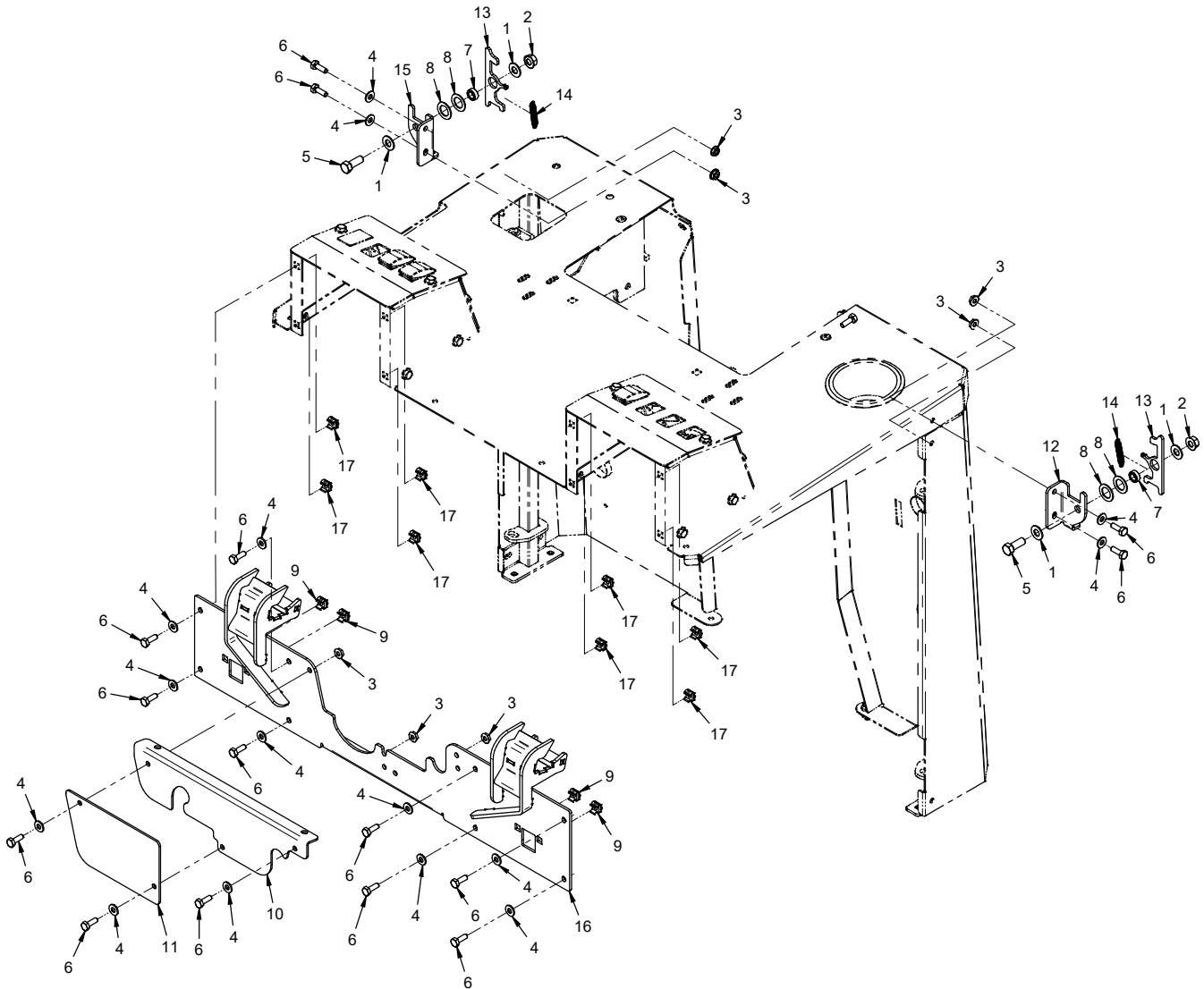
- If any component requires replacement, use only original Ventrac replacement parts.
- When ordering new components, be sure to order all required safety decals. All current safety decals must be affixed to the replacement components prior to installation of the component.

TABLE OF CONTENTS

| PARTS | PAGE 4 |
|----------------------------------|---------------|
| Windscreen Dash Mounts | 4 |
| Windscreen Frames & Braces | 6 |
| Left Side Windscreen | 8 |
| Right Side Windscreen | 10 |
| Windshield Mount & Wiper | 12 |

PARTS

ILLUSTRATED DRAWING Windscreen Dash Mounts



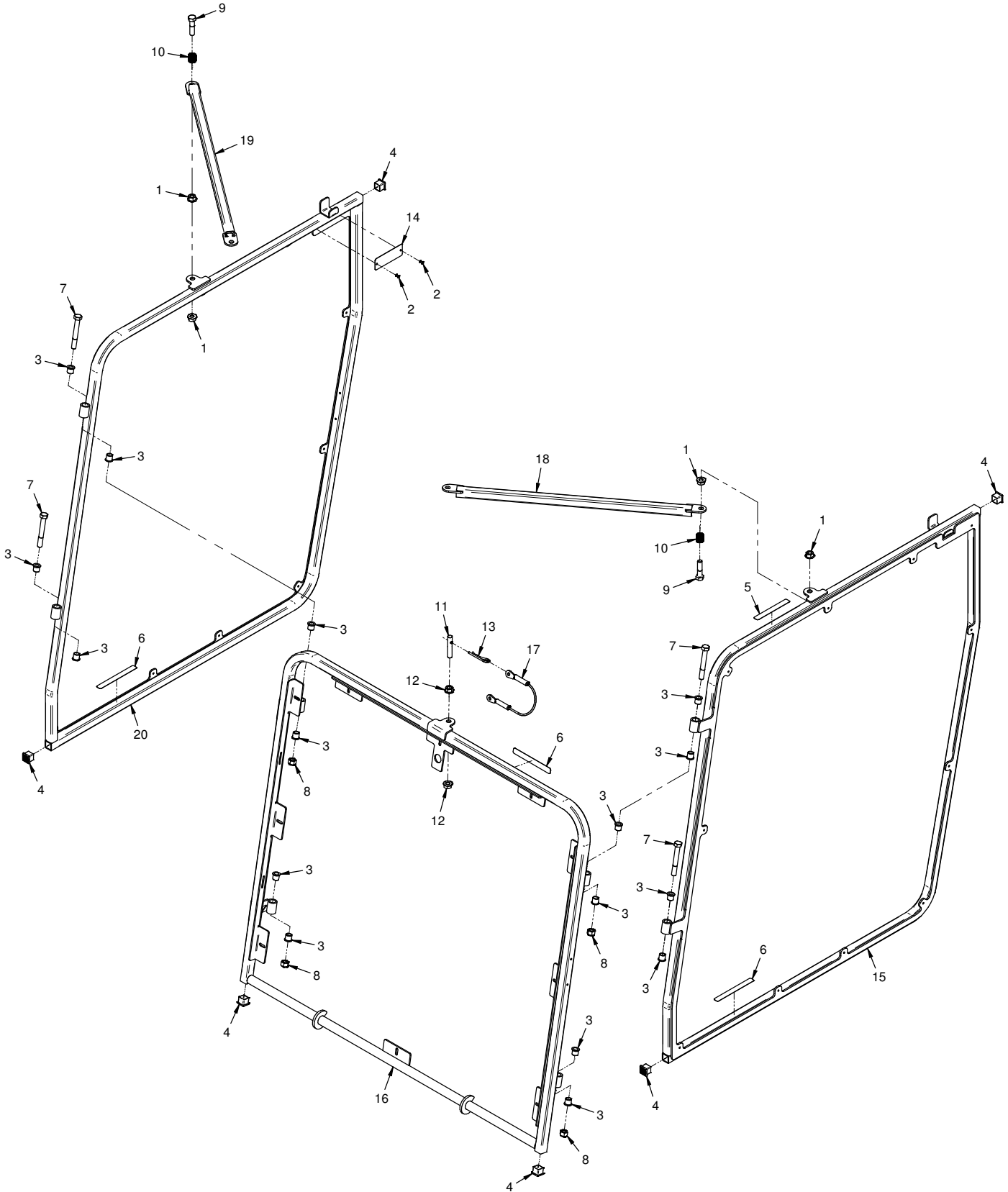
PARTS

Windscreen Dash Mounts

| REF. | PART NO. | DESCRIPTION | QTY. |
|------|-----------|--------------------------------------|------|
| 1 | 95.06-3 | Washer, Flat 3/8 SAE SS | 4 |
| 2 | 99.SF06-3 | Nut, SRF 3/8-16 USS Stainless | 2 |
| 3 | 99.SF04-3 | Nut, SRF 1/4-20 USS Stainless | 7 |
| 4 | 95.04-3 | Washer, Flat 1/4 SAE SS | 15 |
| 5 | 90.0608-3 | Bolt, 3/8-16 USS x 1 SS | 2 |
| 6 | 90.0406-3 | Bolt, 1/4-20 USS x 3/4 SS | 15 |
| 7 | 64.0602 | Bushing, 3/8 x 5/8 x .265 | 2 |
| 8 | 99.B0055 | Washer, Mach 5/8X 1 X 18Ga | 4 |
| 9 | 99.E0147 | Nut, Cage 1/4-20 (.125 - .156") | 4 |
| 10 | NT-1556 | Plate, Dash Front Cover | 1 |
| 11 | NT-2001 | Plate, Dash Cover Blank | 1 |
| 12 | NT-1973 | Bracket, Windscreen Mount Left Rear | 1 |
| 13 | NT-1758 | Latch, Windscreen Rear Mount | 2 |
| 14 | 41.0132 | Spring, Ext .262" OD x 1.030 L | 2 |
| 15 | NT-1941 | Bracket, Windscreen Mount Right Rear | 1 |
| 16 | NT-6784 | Mount, Front Dash Windscreen | 1 |
| 17 | 99.E0145 | Nut, Cage 1/4-20 (.025-.063") | 8 |

PARTS

ILLUSTRATED DRAWING Windscreen Frames & Braces



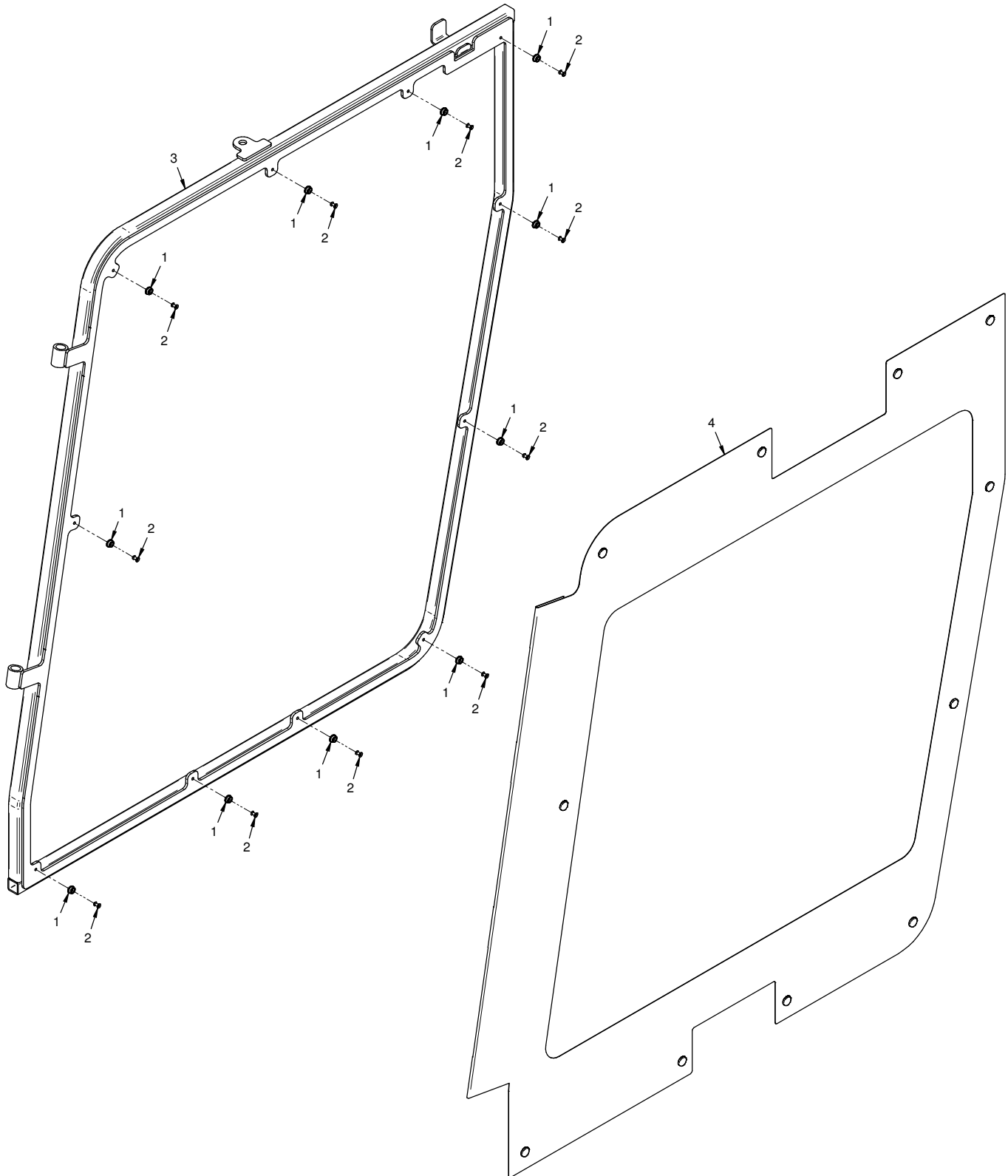
PARTS

Windscreen Frames & Braces

| REF. | PART NO. | DESCRIPTION | QTY. |
|------|-------------|----------------------------------|------|
| 1 | 99.SF06-3 | Nut, SRF 3/8-16 USS Stainless | 4 |
| 2 | 04.0029 | Rivet, Pop 1/8" X 1/4" SS | 2 |
| 3 | 85.B0068 | Bushing, 3/8 X 1/2 OD X 1/2 LG. | 16 |
| 4 | 05.0188 | Plug, Square 3/4 OD x 1/2 | 6 |
| 5 | 00.0572 | Decal, Fold This Side First. | 1 |
| 6 | 00.0571 | Decal, Remove Before Trailering. | 3 |
| 7 | 90.0622-3 | Bolt, 3/8-16 USS x 2-3/4 SS. | 4 |
| 8 | 99.A06N-3 | Locknut, Nylon 3/8-16 SS | 4 |
| 9 | 90.0612-3 | Bolt, 3/8-16 USS x 1-1/2 SS. | 2 |
| 10 | 41.0039 | Spring, Comp. 9/16 OD X 5/8. | 2 |
| 11 | 99.F0047 | Pin, 3/8-24 x 2" SS W/ Hair Pin. | 1 |
| 12 | 99.SF06-4NF | Nut, SRF 3/8-24 SS. | 2 |
| 13 | 02.HP0416-4 | Hairpin, 1/8 x 2 SS. | 1 |
| 14 | N/A | Plate, Ventrac Serial Number | 1 |
| 15 | NT-6140 | Frame, Left Side Windscreen | 1 |
| 16 | NT-6777 | Frame, Front Windshield | 1 |
| 17 | 45.0060 | Cable, 1/8 x 8" SS Eyelet Ends | 1 |
| 18 | NT-6774 | Cross Brace, Lower | 1 |
| 19 | NT-6783 | Cross Brace, Upper | 1 |
| 20 | NT-6141 | Frame, Right Side Windscreen | 1 |

PARTS

ILLUSTRATED DRAWING Left Side Windscreen



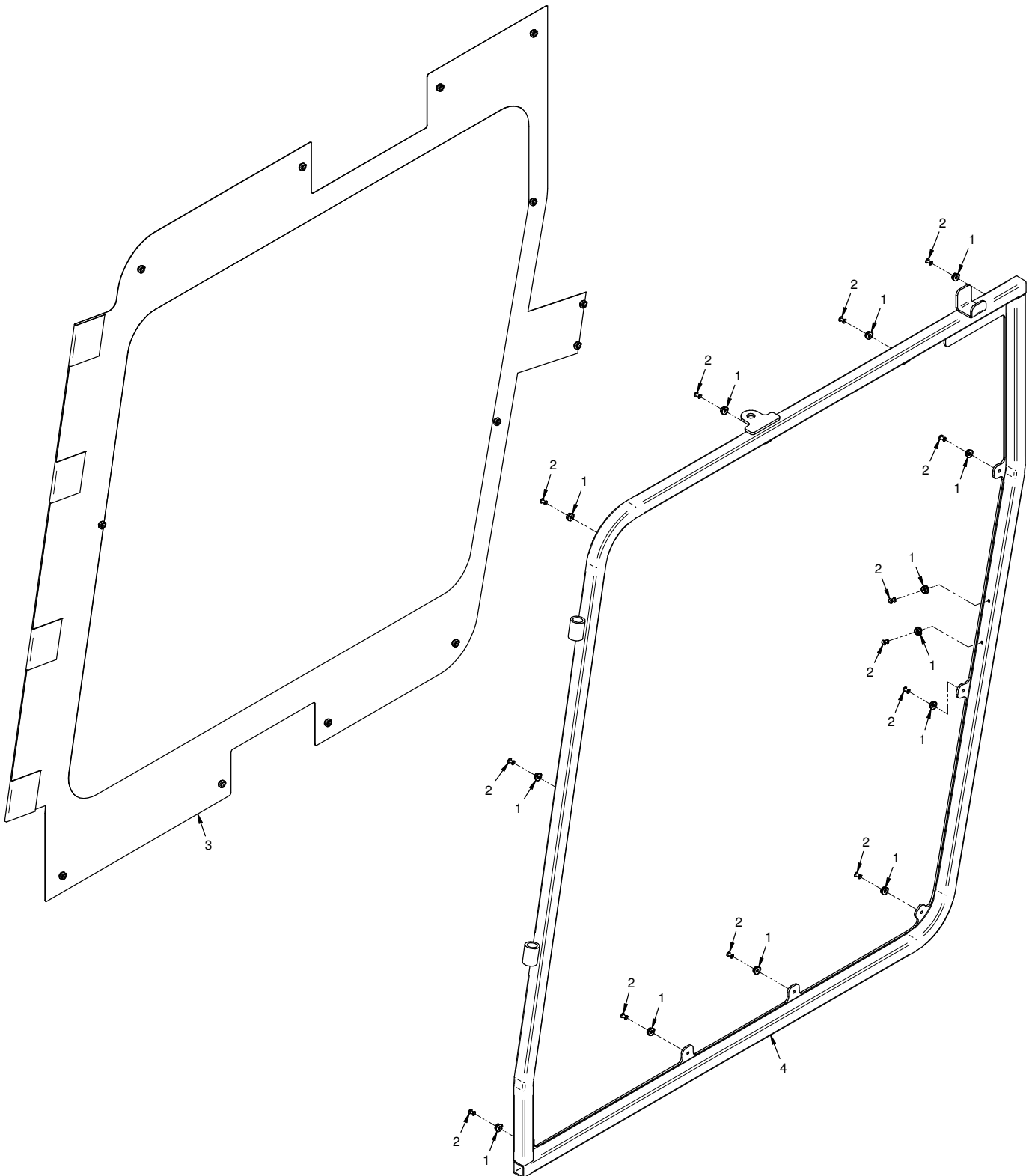
PARTS

Left Side Windscreen

| REF. | PART NO. | DESCRIPTION | QTY. |
|------|----------|-----------------------------|------|
| 1 | 04.0020 | Snap, Stud 3/8 X 9/16 Ss. | 11 |
| 2 | 04.0029 | Rivet, Pop 1/8" X 1/4" SS | 11 |
| 3 | NT-6140 | Frame, Left Side Windscreen | 1 |
| 4 | NT-3015 | Panel, Windscreen Left. | 1 |

PARTS

ILLUSTRATED DRAWING Right Side Windscreen



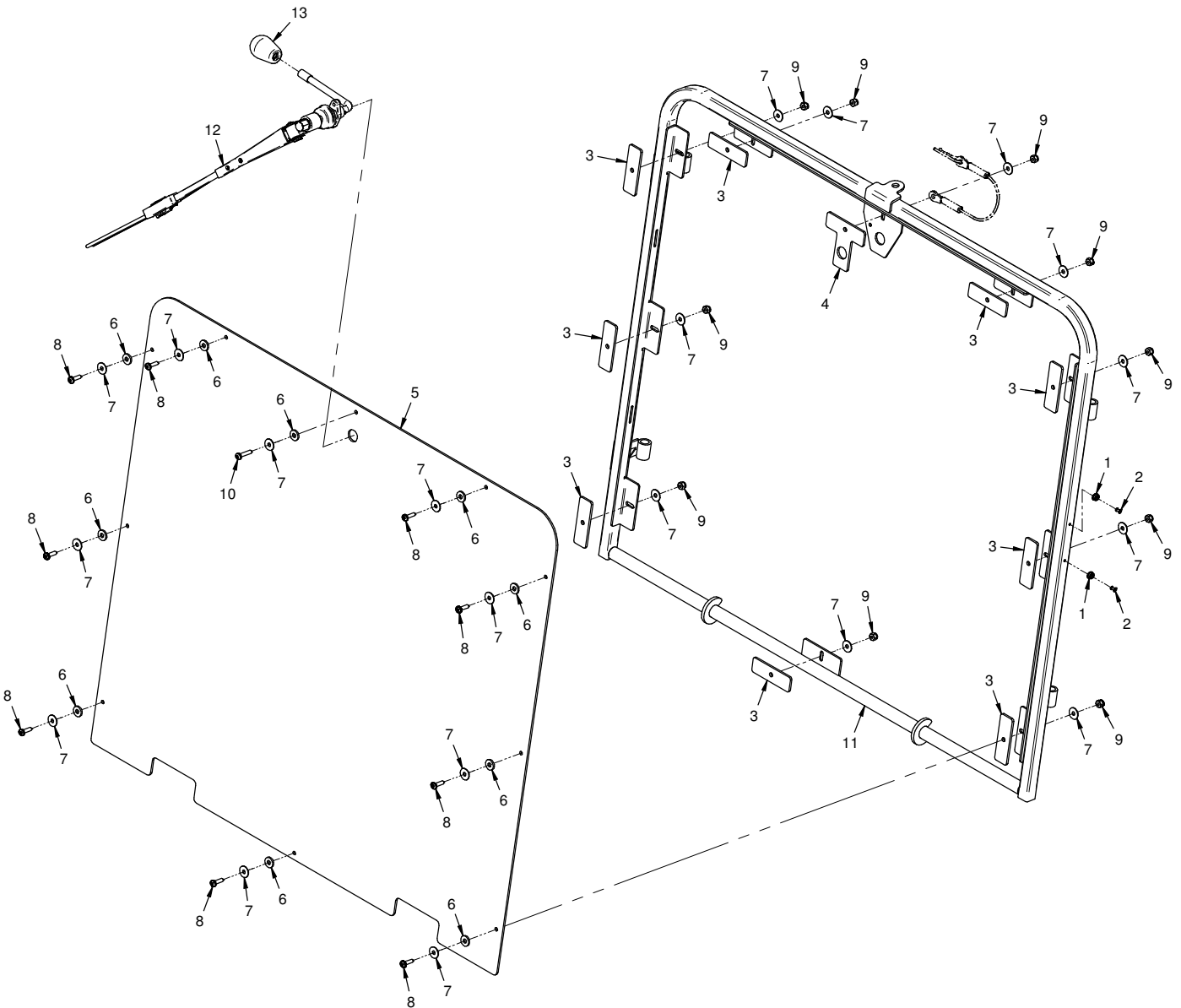
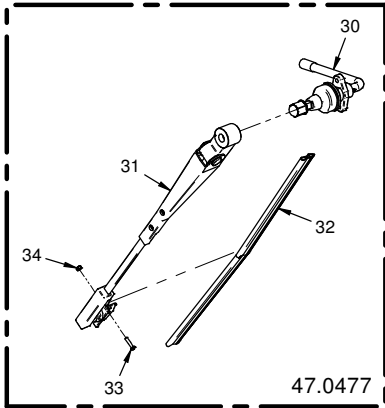
PARTS

Right Side Windscreen

| REF. | PART NO. | DESCRIPTION | QTY. |
|------|----------|------------------------------|------|
| 1 | 04.0020 | Snap, Stud 3/8 X 9/16 Ss. | 13 |
| 2 | 04.0029 | Rivet, Pop 1/8" X 1/4" SS | 13 |
| 3 | NT-3016 | Panel, Windscreen Right | 1 |
| 4 | NT-6141 | Frame, Right Side Windscreen | 1 |

PARTS

ILLUSTRATED DRAWING Windshield Mount & Wiper



PARTS

Windshield Mount & Wiper

| REF. | PART NO. | DESCRIPTION | QTY. |
|------|-----------|---------------------------------|------|
| 1 | 04.0020 | .Snap, Stud 3/8 X 9/16 Ss. | 2 |
| 2 | 04.0029 | .Rivet, Pop 1/8" X 1/4" SS | 2 |
| 3 | 44.0403 | .Gasket, Windshield Mount. | 9 |
| 4 | 44.0413 | .Gasket, Wiper Blade Mount. | 1 |
| 5 | 44.0402 | .Windshield, Front | 1 |
| 6 | 05.0126 | .Washer, Neoprene 1/4 X 5/8 | 10 |
| 7 | 99.B0139 | .Washer, Fender #10 x 11/16 SS. | 20 |
| 8 | 99.K0163 | .Machine Screw, #10-32 x 3/4 SS | 9 |
| 9 | 99.A1032N | .Locknut, Nylon 10-32 Stainless | 10 |
| 10 | 99.K0139 | .Machine Screw, #10-32 X 1 SS. | 1 |
| 11 | NT-6777 | .Frame, Front Windshield | 1 |
| 12 | 47.0477 | .Wiper Asm, Windshield | 1 |
| 13 | 47.0001 | .Knob, Sm. #80 3/8-16 Thread | 1 |
| 30 | 47.0480 | .Handle Asm, Manual Wiper. | 1 |
| 31 | 47.0478 | .Arm, Wiper 15" | 1 |
| 32 | 47.0479 | .Wiper Blade, Windshield 16" | 1 |
| 33 | 99.M0069 | .Bolt, M6 x 1.0 x 30mm SS. | 1 |
| 34 | 99.M0070 | .Locknut, Nylon M6 x 1.0 SS | 1 |