

Parts Manual

SP720

Box Snow Plow



Revised 01/03/24
09.20102 Rev. 01



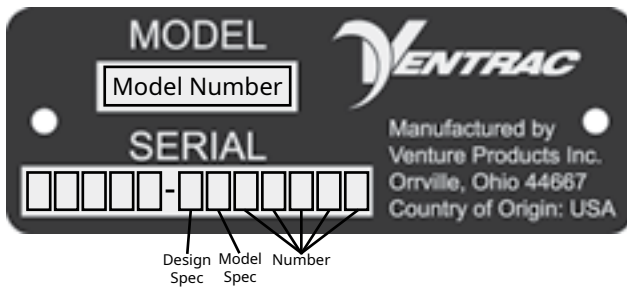
500 Venture Drive
Orrville Oh 44667
www.ventrac.com

View all manuals



Visit ventrac.com/manuals for the latest version of this parts manual. A downloadable operator's manual is also available.

Serial Number Description



Notes

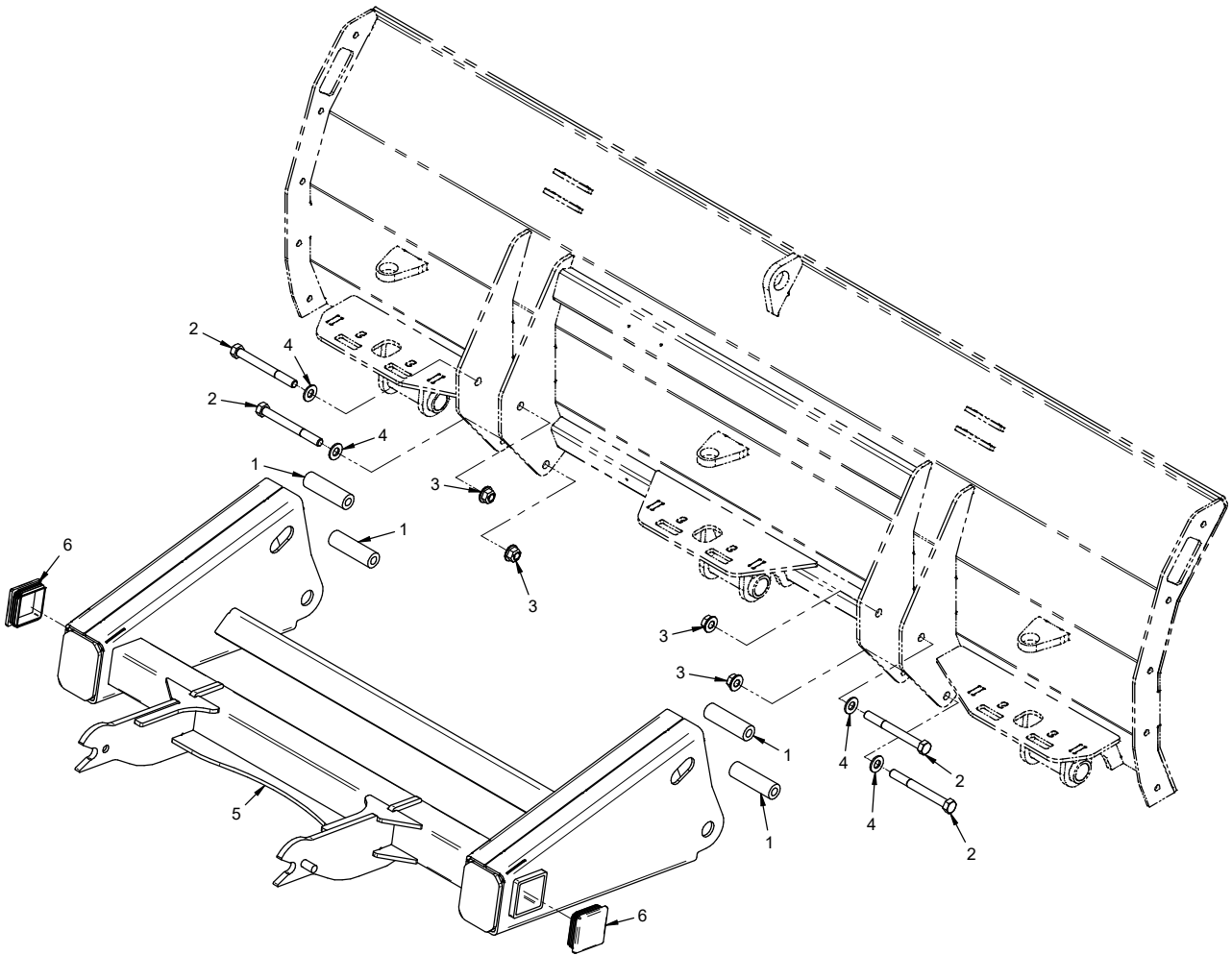
- If any component requires replacement, use only original Ventrac replacement parts.
- When ordering new components, be sure to order all required safety decals. All current safety decals must be affixed to the replacement components prior to installation of the component.

TABLE OF CONTENTS

PARTS	PAGE 4
Hitch Frame Mount	4
Blade, Cutting Edge, & Trip Edge.....	6
Skid Shoe & Box Ends	8
70.8245 Poly Edge Kit.....	10
70.8254 Artificial Turf Edge Kit.....	12

PARTS

ILLUSTRATED DRAWING Hitch Frame Mount



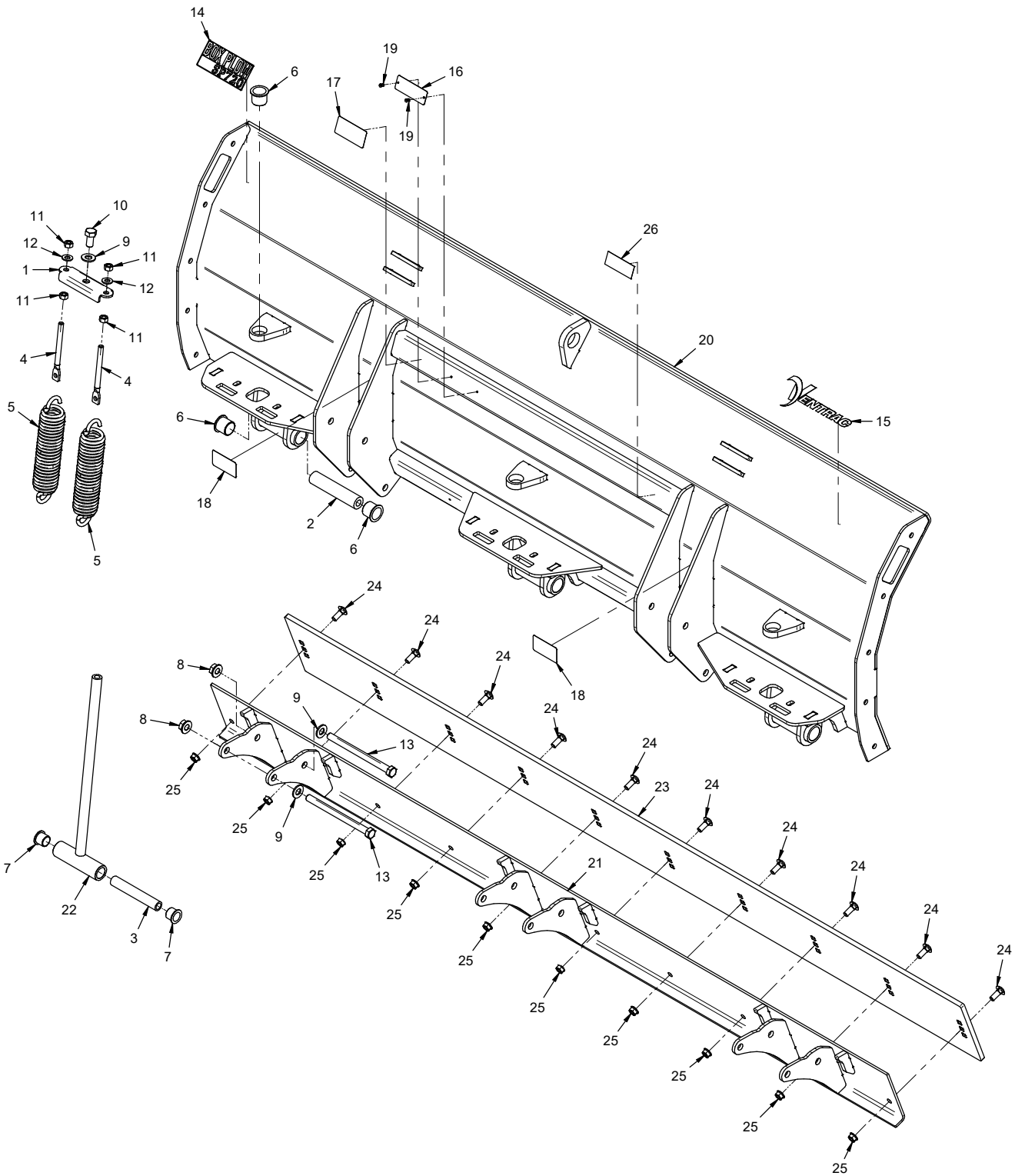
PARTS

Hitch Frame Mount

REF.	PART NO.	DESCRIPTION	QTY.
1	KM-1299	Bushing, .510 x 1.00 x 3-11/32	4
2	90.0838	Bolt, 1/2-13 USS x 4-3/4	4
3	99.E0103	Nut, Locking Flange 1/2-13	4
4	95.08	Washer, Flat 1/2 SAE	4
5	SP-6066	Frame, Hitch Adapter	1
6	05.0209	Plug, Sq. for 2-1/2x(.203 -.134) Tube	2

PARTS

ILLUSTRATED DRAWING Blade, Cutting Edge, & Trip Edge



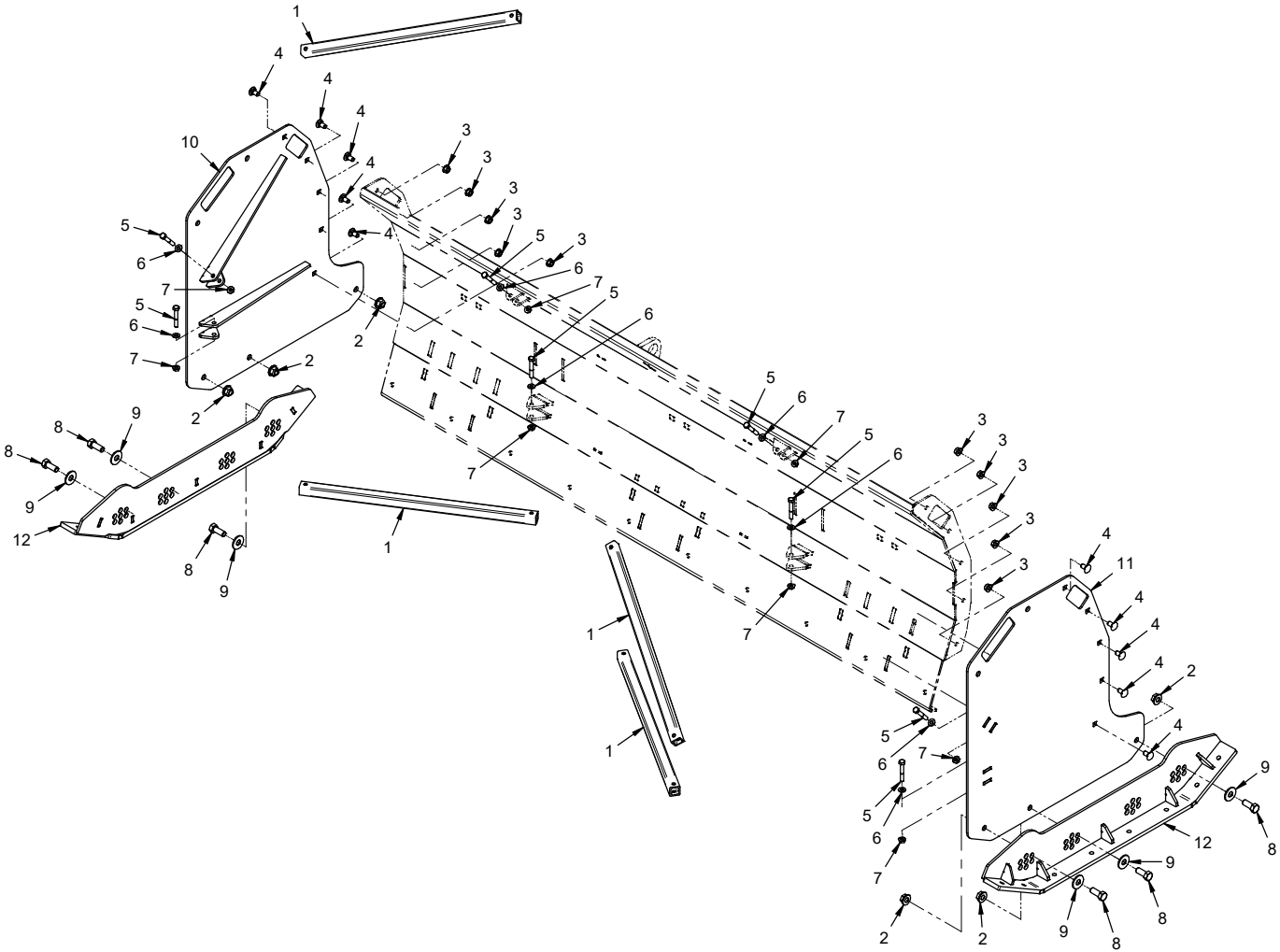
PARTS

Blade, Cutting Edge, & Trip Edge

REF.	PART NO.	DESCRIPTION	QTY.
1	SP-1197	Anchor, Trip Edge Spring	3
2	KM-1081	Bushing, .510 x 1.00 x 4-3/4	3
3	SP-1198	Bushing, Spring Link	3
4	99.K0113	Bolt, Hanger 3/8-16 X 5	6
5	41.0137	Spring, Ext. 1.895 OD x 8.75" L	6
6	85.B0102	Bushing, 1.000 ID x 1.125 OD x 1 L	9
7	85.B0105	Bushing, .750 ID x .875 OD x .689 L	6
8	99.E0103	Nut, Locking Flange 1/2-13	6
9	95.08	Washer, Flat 1/2 SAE	9
10	90.0808	Bolt, 1/2-13 USS x 1	3
11	92.06	Nut, 3/8-16 USS	12
12	95.06	Washer, Flat 3/8 SAE	6
13	90.0852	Bolt, 1/2-13 USS x 6 1/2	6
14	00.0758	Decal, SP720	1
15	00.0688	Decal, Ventrac White	1
16	N/A	Plate, Ventrac Serial Number	1
17	00.0619	Decal, Read Operator's Manual	1
18	00.0364	Decal, Warning Pinch Point	2
19	04.0029	Rivet, Pop 1/8" X 1/4" SS	2
20	SP-6039	Frame, Blade SP720	1
21	SP-6005	Frame, Trip Edge	1
22	SP-6049	Link, Trip Edge Spring	3
23	78.0067	Cutting Edge, 3/8 x 6 1/2 x 72"	1
24	97.0608	Bolt, Carriage 3/8-16 x 1	10
25	99.SF06	Nut, SRF 3/8-16 USS	10
26	00.0100	Decal, Made in the USA	1

PARTS

ILLUSTRATED DRAWING Skid Shoe & Box Ends



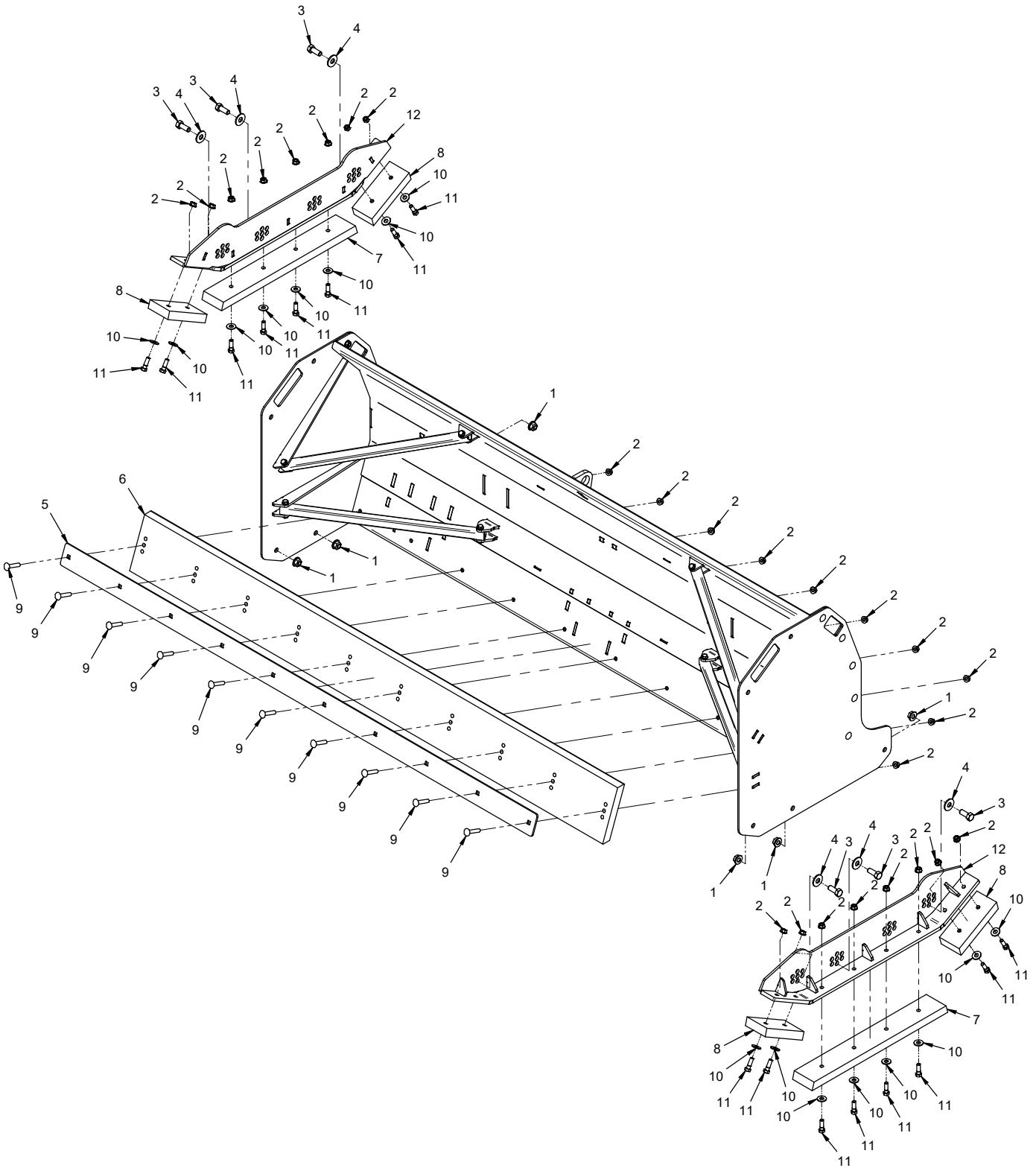
PARTS

Skid Shoe & Box Ends

REF.	PART NO.	DESCRIPTION	QTY.
1	SP-1162	Brace, Box End	4
2	99.E0103	Nut, Locking Flange 1/2-13	6
3	99.SF06	Nut, SRF 3/8-16 USS	10
4	97.0606	Bolt, Carriage 3/8-16 x 3/4	10
5	90.0516	Bolt, 5/16-18 USS x 2	8
6	95.05	Washer, Flat 5/16 SAE	8
7	99.SF05	Nut, SRF 5/16-18 USS	8
8	90.0810	Bolt, 1/2-13 USS x 1-1/4	6
9	94.08	Washer, Flat 1/2 USS	6
10	SP-6040	Frame, Box End Right	1
11	SP-6043	Frame, Box End Left	1
12	SP-6041	Skid Shoe	2

PARTS

ILLUSTRATED DRAWING 70.8245 Poly Edge Kit



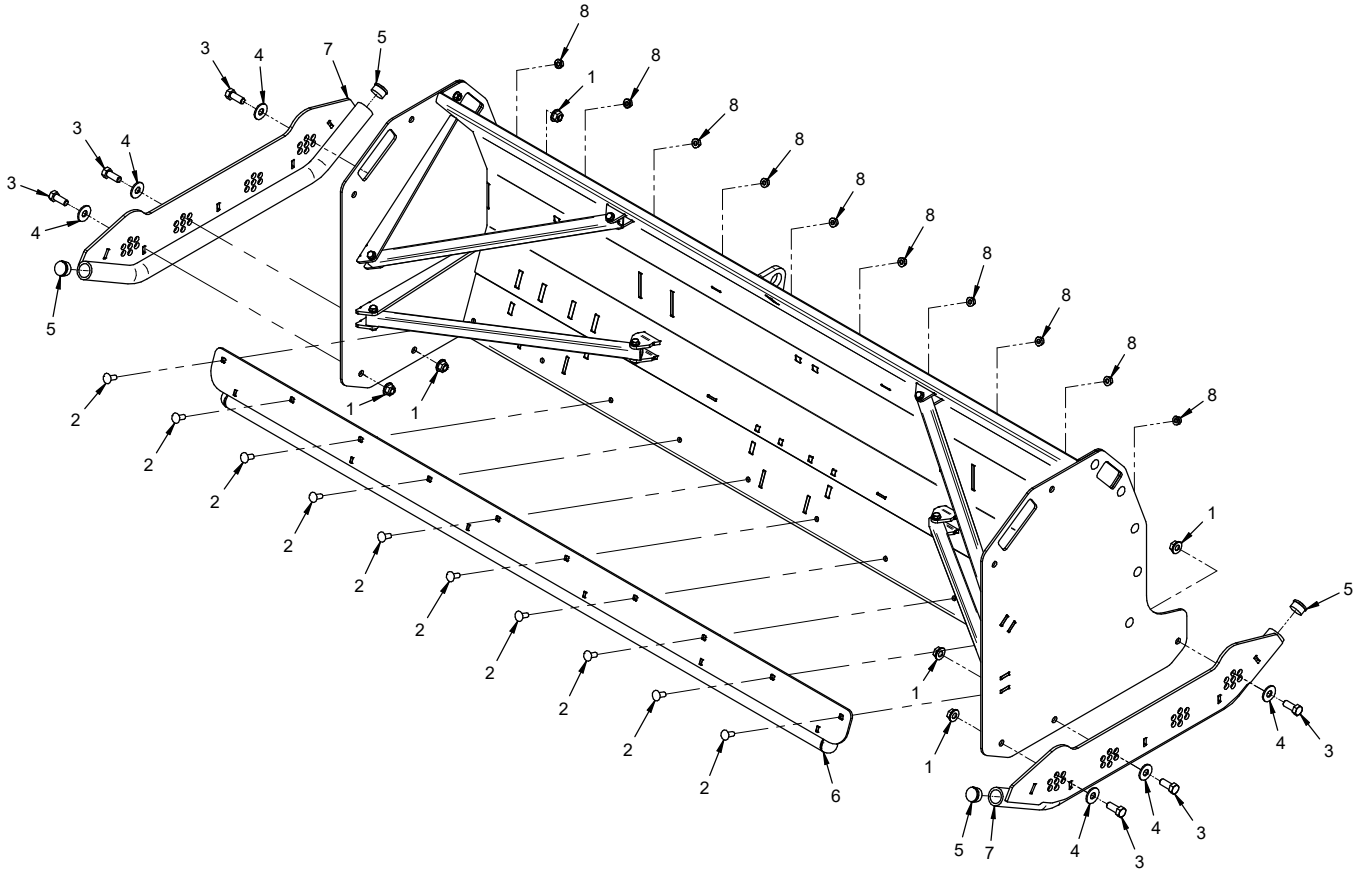
PARTS

70.8245 Poly Edge Kit

REF.	PART NO.	DESCRIPTION	QTY.
1	99.E0103	Nut, Locking Flange 1/2-13	6
2	99.SF06	Nut, SRF 3/8-16 USS	26
3	90.0810	Bolt, 1/2-13 USS x 1-1/4	6
4	94.08	Washer, Flat 1/2 USS	6
5	SP-1171	Clamp, Poly Backer 71-3/4	1
6	44.0430	Cutting Edge, Poly 1 x 7 x 72"	1
7	44.0432	Skid Shoe Plate, Poly Center	2
8	44.0431	Skid Shoe Plate, Poly Outer	4
9	97.0616	Bolt, Carriage 3/8-16 x 2	10
10	94.06	Washer, Flat 3/8 USS	16
11	90.0610	Bolt, 3/8-16 USS x 1-1/4	16
12	SP-6041	Skid Shoe	2

PARTS

ILLUSTRATED DRAWING 70.8254 Artificial Turf Edge Kit



PARTS

70.8254 Artificial Turf Edge Kit

REF.	PART NO.	DESCRIPTION	QTY.
1	99.E0103	.Nut, Locking Flange 1/2-13	6
2	97.0608	.Bolt, Carriage 3/8-16 x 1	10
3	90.0810	.Bolt, 1/2-13 USS x 1-1/4	6
4	94.08	.Washer, Flat 1/2 USS	6
5	05.0211	.Plug, Rd. for 1-1/8 ID Tube	4
6	SP-6002	.Cutting Edge, Turf	1
7	SP-6003	.Skid Shoe, Turf	2
8	99.SF06	.Nut, SRF 3/8-16 USS	10