

HE200

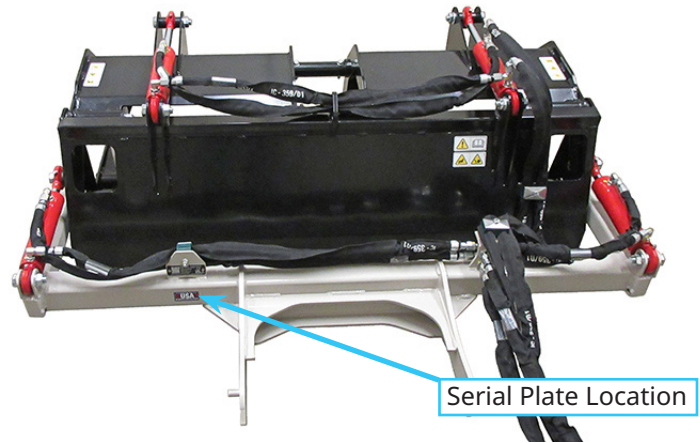
Power Grapple





500 Venture Drive
Orrville Oh 44667
www.ventrac.com

Serial Number Description



Notes

- If any component requires replacement, use only original Ventrac replacement parts.
- When ordering new components, be sure to order all required safety decals. All current safety decals must be affixed to the replacement components prior to installation of the component.

TABLE OF CONTENTS

PARTS	PAGE 4
Power Grapple Bucket	4
Power Grapple Claws	6
HE200 Side Plates (Kit #70.8276).....	8

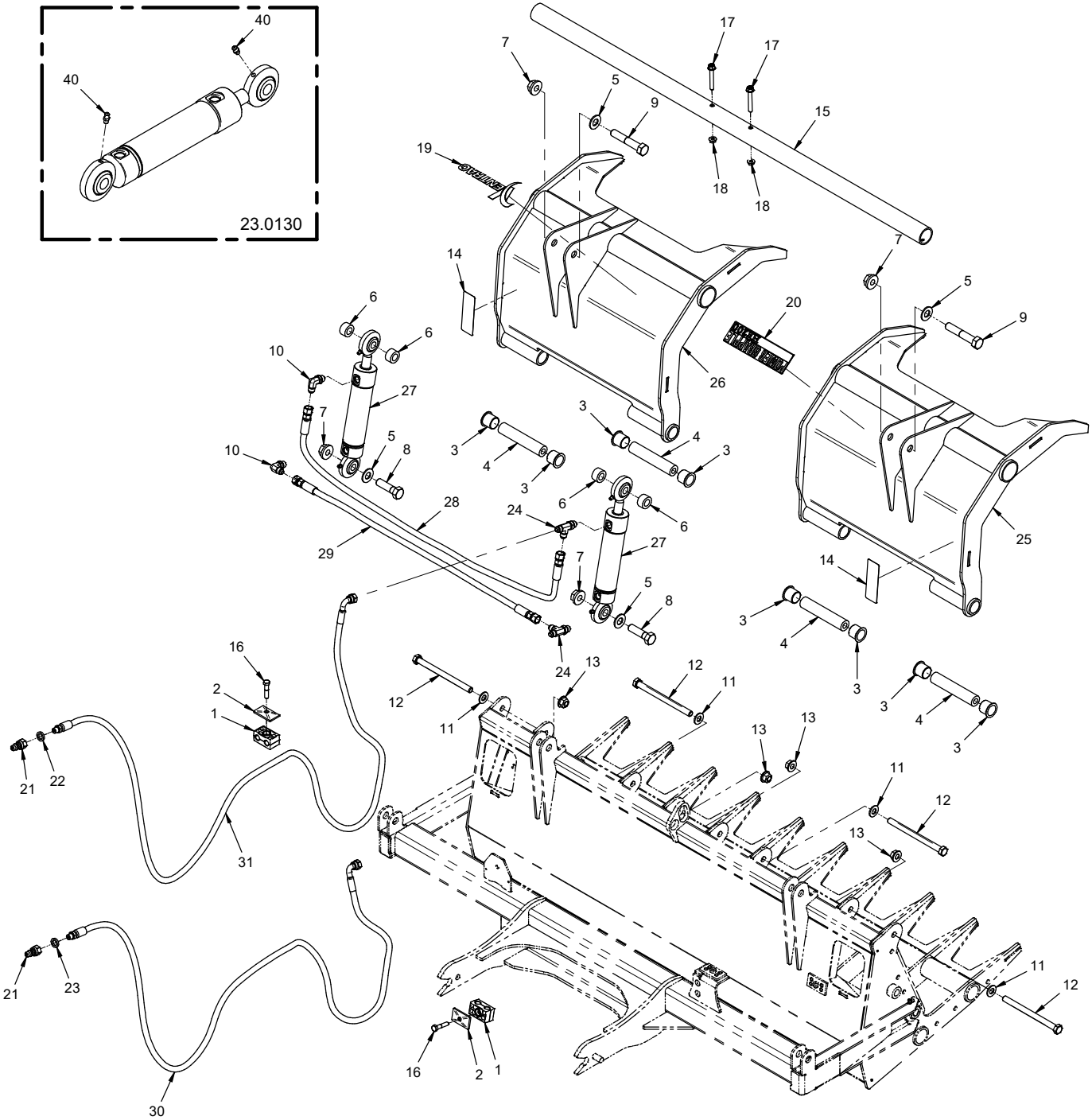
PARTS

Power Grapple Bucket

REF.	PART NO.	DESCRIPTION	QTY.
1	44.0256	.Clamp, Hyd Hose 12.7mm ID 2 Cavity (Set of 2)	1
2	44.0229	.Cover Plate, Group 2D (2 Cavity)	1
3	29.GF0001	.Grease Ftg, 1/4 SAE ST	2
4	95.10	.Washer, Flat 5/8 SAE	2
5	99.E0094	.Locknut, 5/8-11 Flanged Stover	6
6	90.1018	.Bolt, 5/8-11 USS x 2-1/4	4
7	90.1022	.Bolt, 5/8-11 USS x 2-3/4	2
8	25.6801-06-06	.Fitting, 90 ME 3/8 x 3/8	4
9	25.2703-6-6-6LN	.Fitting, Bulkhead T 3/8 W/Lnut	2
10	N/A	.Plate, Ventrac Serial Number	1
11	00.0770	.Decal, Built in the USA	1
12	00.0621	.Decal, High Pressure Fluid Hazard	1
13	00.0619	.Decal, Read Operator's Manual	1
14	90.0516	.Bolt, 5/16-18 USS x 2	1
15	99.E0102	.Nut, Locking Flange 5/16-18	1
16	23.0104	.Coupler, Quick Male 1/4	2
17	05.0116	.Washer, .544 ID x .817 x .14 Red	1
18	05.0117	.Washer, .544 ID x .817 x .14 Yel	1
19	04.0029	.Rivet, Pop 1/8" X 1/4" SS	2
20	HE-6002	.Frame, Hitch Weldment HE200	1
21	HE-6001	.Frame, Lower Grapple HE	1
22	23.0130	.Cylinder, 1-1/2" X 5"	2
23	20.0121	.Hose, 1/4x36.50 SAE 100R17AR	1
24	20.0122	.Hose, 1/4x43.00 SAE 100R17AR	1
25	20.0123	.Hose, 1/4x19.50 SAE 100R17AR	1
26	20.0124	.Hose, 1/4x13.50 SAE 100R17AR	1
27	20.0166	.Hose, 1/4x35.00 SAE 100R17AR	1
28	20.0166	.Hose, 1/4x35.00 SAE 100R17AR	1
30	29.GF0001	.Grease Ftg, 1/4 SAE ST	2

PARTS

ILLUSTRATED DRAWING Power Grapple Claws



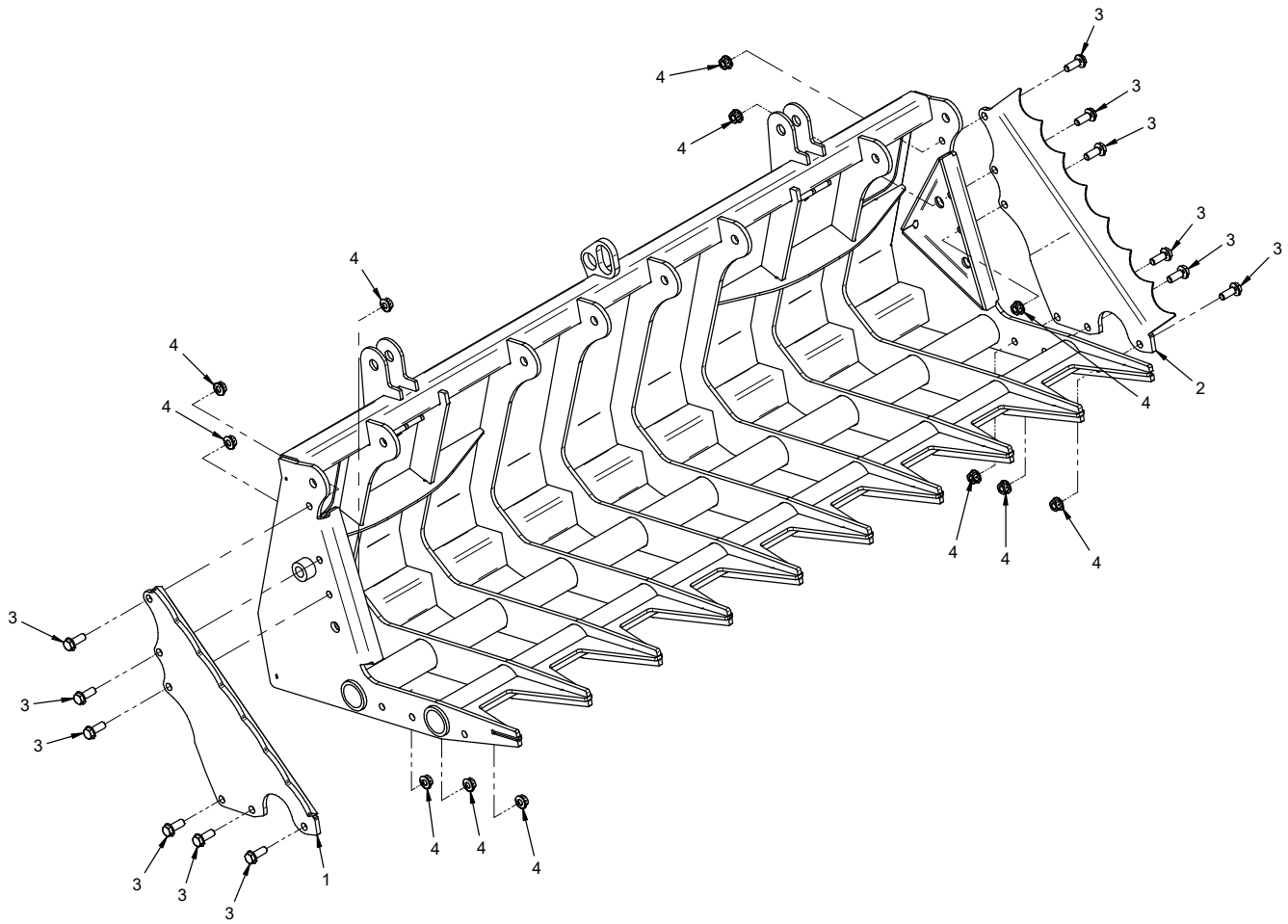
PARTS

Power Grapple Claws

REF.	PART NO.	DESCRIPTION	QTY.
1	44.0256	Clamp, Hyd Hose 12.7mm ID 2 Cavity (Set of 2)	2
2	44.0229	Cover Plate, Group 2D (2 Cavity)	2
3	85.B0102	Bushing, 1.000 ID x 1.125 OD x 1 L Flange	8
4	KM-1313	Bushing, Grapppler Pivot	4
5	95.10	Washer, Flat 5/8 SAE	4
6	KM-1342	Spacer, Cylinder Mount	4
7	99.E0094	Locknut, 5/8-11 Flanged Stover	4
8	90.1018	Bolt, 5/8-11 USS x 2-1/4	2
9	90.1028	Bolt, 5/8-11 USS x 3-1/2	2
10	25.6801-06-06	Fitting, 90 ME 3/8 x 3/8	2
11	95.08	Washer, Flat 1/2 SAE	4
12	90.0852	Bolt, 1/2-13 USS x 6 1/2	4
13	99.E0103	Nut, Locking Flange 1/2-13	4
14	00.0620	Decal, Pinching or Crushing Hazard	2
15	KM-1407	Interlock, Grapple Claws	1
16	90.0512	Bolt, 5/16-18 USS x 1-1/2"	2
17	99.SF0518-1	BOLT, SMF 5/16-18 X 2-1/4	2
18	99.SF05	Nut, SRF 5/16-18 USS	2
19	00.0688	Decal, Ventrac White	1
20	00.0813	Decal, HE200	1
21	23.0104	Coupler, Quick Male 1/4	2
22	05.0156	Washer, .544 ID x .817 x .14 Nat	1
23	05.0157	Washer, .544 ID x .817 x .14 Blk	1
24	25.6804-6-6-6	Fitting, M Tee 3/8x3/8x3/8	2
25	KM-6100	Grapple, Claw	1
26	KM-6018	Grapple, Claw	1
27	23.0130	Cylinder, 1-1/2" X 5"	2
28	20.0173	Hose, 1/4x42.00 SAE 100R17AR	1
29	20.0486	Hose, 1/4x30.00 SAE 100R17AR	1
30	20.0487	Hose, 1/4x76.00 SAE 100R17AR	1
31	20.0488	Hose, 1/4x79.00 SAE 100R17AR	1
40	29.GF0001	Grease Ftg, 1/4 SAE ST	2

PARTS

ILLUSTRATED DRAWING HE200 Side Plates (Kit #70.8276)



PARTS

HE200 Side Plates (Kit #70.8276)

REF.	PART NO.	DESCRIPTION	QTY.
1	HE-1024	Plate, Side RH	1
2	HE-1025	Plate, Side LH	1
3	99.SF0608	Bolt, SRF 3/8-16 USS x 1	12
4	99.E0082	Nut, Locking Flange 3/8-16	12